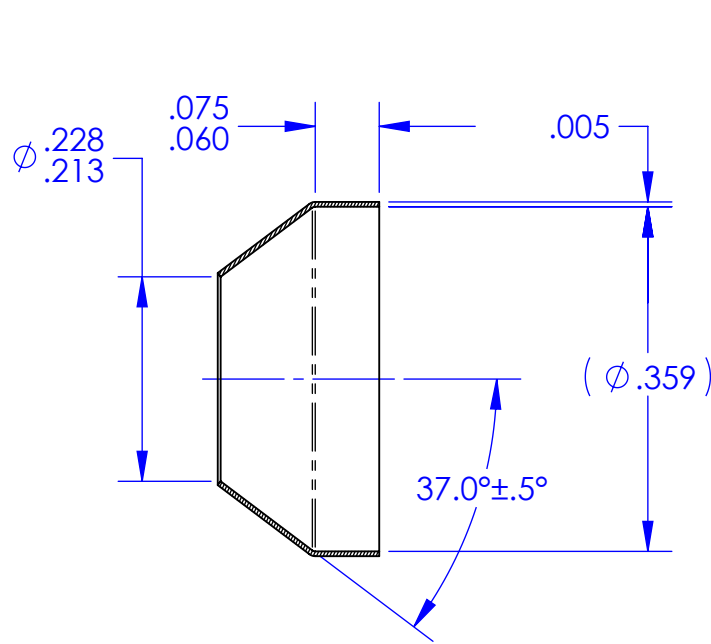
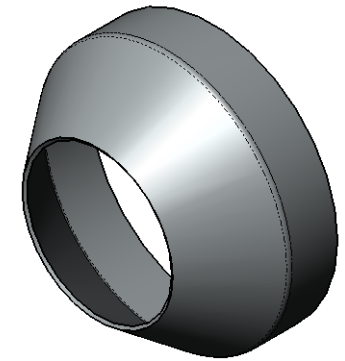
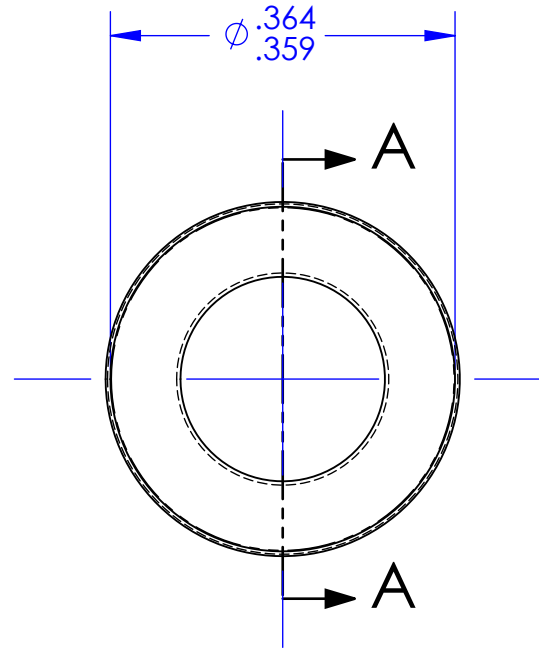


REVISIONS			
REV.	DESCRIPTION	DATE	APPROVED
G	As Released	7/15/1998	SECO



SECTION A-A



NOTES: UNLESS OTHERWISE SPECIFIED

- MATERIAL:** CORROSION RESISTANT STEEL STRIP TYPE 305 OR 304. PER QQ-S-766 OR ASTM A 240.
- FINISH:** TINPLATED PER MIL-T-10727, TYPE 1 OR AMS 2408-2.
- THESE PARTS ARE ANNEALED. DIMENSIONS "A" AND "C" SHALL BE VERIFIED BY INSTALLING THE SEAL ON A STANDARD FITTING PER MS33514 OF APPROPRIATE SIZE. AN OUT-OF-ROUND CONDITION WHICH DOES NOT PREVENT SUCH INSTALLATION SHALL NOT BE A CAUSE FOR REJECTION UNLESS THE SEAL MATERIAL IS CREASED OR NICKED.
- BREAK ALL SHARP EDGES AND REMOVE ALL BURRS.

ECCN 9A991.d		DRAWING SIZE		SECO SEALS, INC.	1370 LOGAN AVE. UNIT K	(714) 546-3478	
MAT'L:	FSCM:			sales@secoseals.com	COSTA MESA, CA. 92626	www.secoseals.com	
See Note 1	4730		FILE NAME:	SECO7ST4			
TREATMENT:		DESC.:				STANDARD:	
Annealed after Forming		Conical Seal for 1/4" Flared Tube Fitting, 37 Degree.				SECO 7	
MAT'L SIZE:		TITLE:		DRAWN BY:		CAGE CODE:	
.005 Thk. Sheet		SECO 7 Seal		Joe Littel		33447	
		DATE DRAWN	SCALE	CHECKED BY:		SHEET	
		4/21/2015	5:1	Jim Scott		1 of 1	