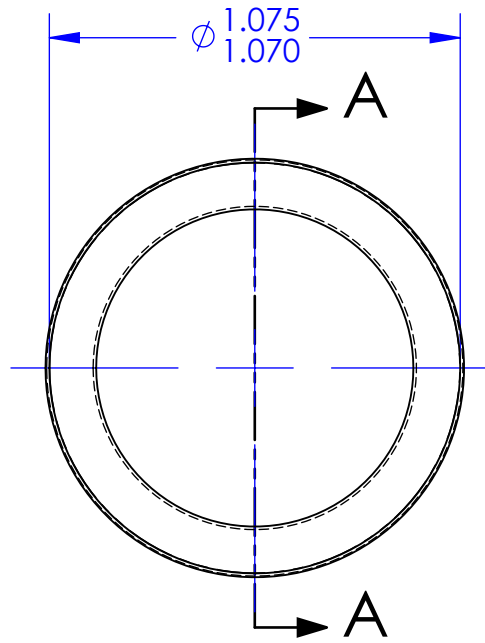
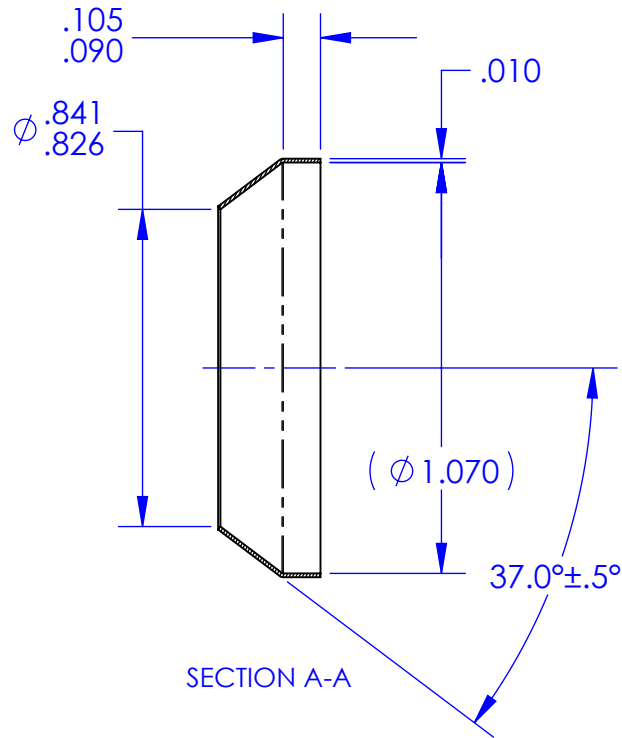


| REVISIONS | | | |
|-----------|-------------|-----------|----------|
| REV. | DESCRIPTION | DATE | APPROVED |
| G | As Released | 7/15/1998 | SECO |



NOTES: UNLESS OTHERWISE SPECIFIED

1. MATERIAL: NICKEL STRIP 201, PER ASTM B 162 OR AMS 5553.
2. FINISH: SILVER PLATED PER AMS 2410.
3. THESE PARTS ARE ANNEALED. DIMENSIONS "A" AND "C" SHALL BE VERIFIED BY INSTALLING THE SEAL ON A STANDARD FITTING PER MS33514 OF APPROPRIATE SIZE. AN OUT-OF ROUND CONDITION WHICH DOES NOT PREVENT SUCH INSTALLATION SHALL NOT BE A CAUSE FOR REJECTION UNLESS THE SEAL MATERIAL IS CREASED OR NICKED.
4. BREAK ALL SHARP EDGES AND REMOVE ALL BURRS.

| | | | | | |
|--------------------------------------|--|---|--|-------------------------|-------------------------------------|
| ECCN 9A991.d | | DRAWING SIZE | SECO SEALS, INC. 1370 LOGAN AVE. UNIT K PO BOX 1461 COSTA MESA, CA. 92626 | | (714) 546-3478 www.secoseals.com |
| MAT'L: See Note 1 | FSCM: 4730 | A | | FILE NAME: SECO7NS14 | REV. G |
| TREATMENT: Annealed after Forming | INCHES DIMENSIONS IN INCHES 3RD ANGLE PROJECTION | DESC.: Conical Seal for 7/8" Flared Tube Fitting, 37 Degree. | | | STANDARD: SECO 7 |
| MAT'L SIZE: .010 Thk. Sheet | | TITLE: SECO 7 Seal | DRAWN BY: Joe Littel | CAGE CODE: 33447 | |
| DATE DRAWN 4/21/2015 | | SCALE 2:1 | CHECKED BY Jim Scott | SHEET 1 of 1 | |