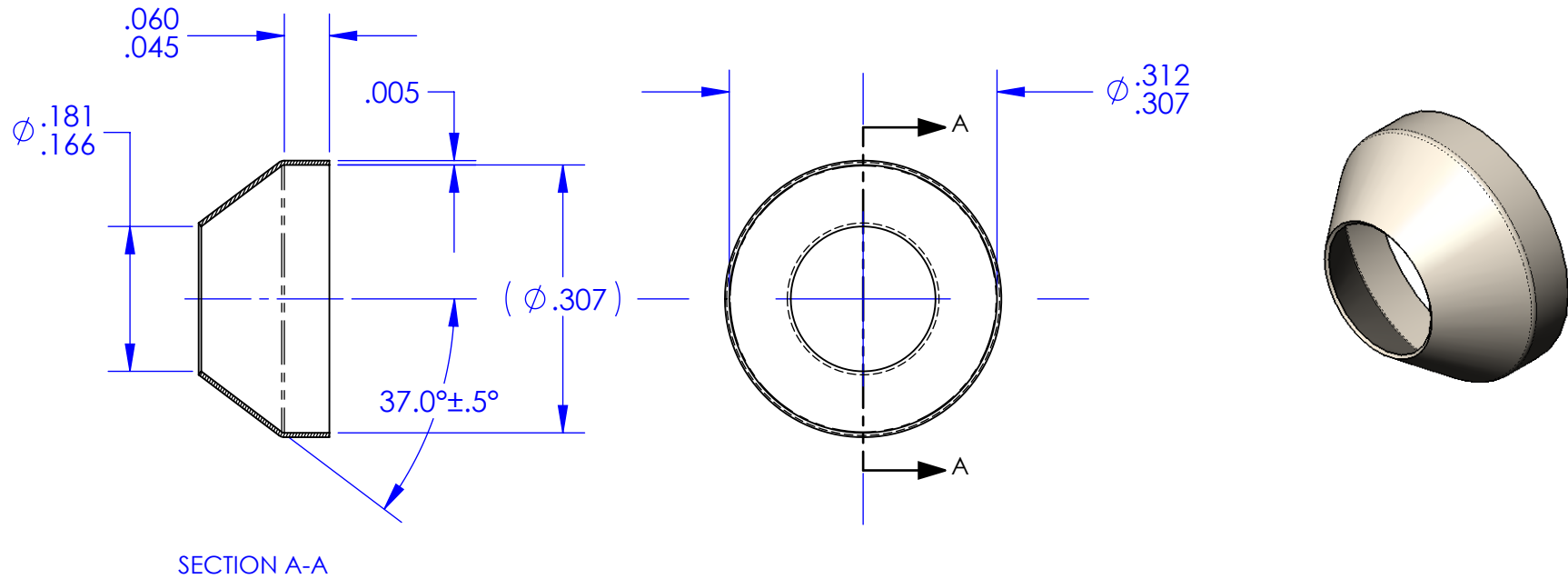


REVISIONS			
REV.	DESCRIPTION	DATE	APPROVED
G	As Released	7/15/1998	SECO



**NOTES: UNLESS OTHERWISE SPECIFIED**

1. MATERIAL: NICKEL STRIP 201, ANNEALED, PER ASTM B 162 OR AMS 5553
2. FINISH: NONE.
3. THESE PARTS ARE ANNEALED. DIMENSIONS "A" AND "C" SHALL BE VERIFIED BY INSTALLING THE SEAL ON A STANDARD FITTING PER MS33514 OF APPROPRIATE SIZE. AN OUT-OF ROUND CONDITION WHICH DOES NOT PREVENT SUCH INSTALLATION SHALL NOT BE A CAUSE FOR REJECTION UNLESS THE SEAL MATERIAL IS CREASED OR NICKED.
4. BREAK ALL SHARP EDGES AND REMOVE ALL BURRS.

ECCN 9A991.d		DRAWING SIZE		<b>SECO SEALS, INC.</b> sales@secoseals.com		<b>1370 LOGAN AVE. UNIT K</b> <b>COSTA MESA, CA. 92626</b>		<b>(714) 546-3478</b> <b>www.secoseals.com</b>		
MAT'L:	See Note 1	FSCM:		4730	FILE NAME:	SECO7N3		REV.	G	
TREATMENT:	Annealed after Forming	<b>INCHES</b> DIMENSIONS IN INCHES 3RD ANGLE PROJECTION 	DESC.:				STANDARD:			
MAT'L SIZE:	.005 Thk. Sheet		Conical Seal for 3/16" Flared Tube Fitting, 37 Degree.				SECO 7			
			TITLE:			DRAWN BY:		CAGE CODE:		
			SECO 7 Seal			Joe Littel		33447		
			DATE DRAWN:		SCALE:	CHECKED BY:		SHEET:		
			4/21/2015		5:1	Jim Scott		1 of 1		