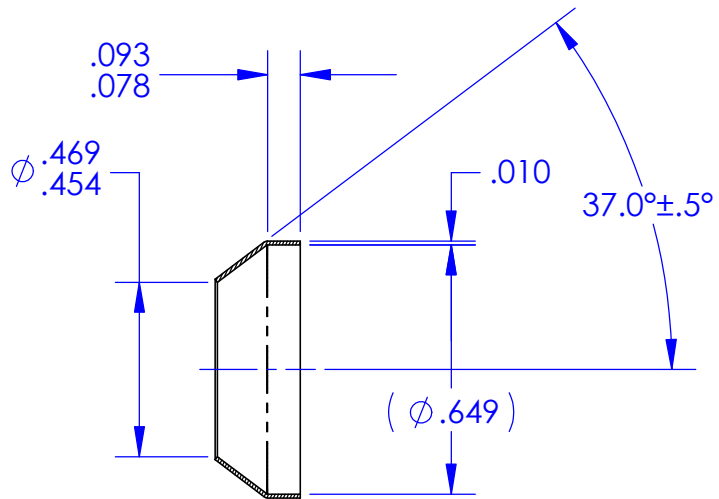
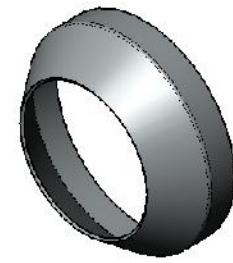
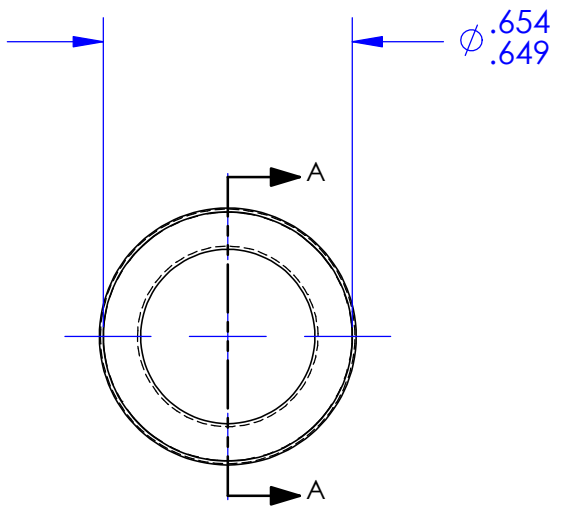


REVISIONS			
REV.	DESCRIPTION	DATE	APPROVED
G	As Released	7/15/1998	SECO


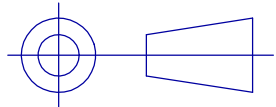


SECTION A-A



**NOTES: UNLESS OTHERWISE SPECIFIED**

1. MATERIAL: COPPER STRIP, ANNEALED, TYPE C10100, C10200 OR C11000  
CHEMICAL COMPOSITION PER ASTM B 152, MECHANICAL PROPERTIES PER ASTM B 451.
2. FINISH: TINPLATED PER MIL-T-10727, TYPE 1 OR AMS 2408-2.
3. THESE PARTS ARE ANNEALED. DIMENSIONS "A" AND "C" SHALL BE VERIFIED BY INSTALLING THE SEAL ON A STANDARD FITTING PER MS33514 OF APPROPRIATE SIZE. AN OUT-OF ROUND CONDITION WHICH DOES NOT PREVENT SUCH INSTALLATION SHALL NOT BE A CAUSE FOR REJECTION UNLESS THE SEAL MATERIAL IS CREASED OR NICKED.
4. BREAK ALL SHARP EDGES AND REMOVE ALL BURRS.

ECCN 9A991.d		DRAWING SIZE		<b>SECO SEALS, INC.</b> sales@secoseals.com		<b>1370 LOGAN AVE. UNIT K</b> <b>COSTA MESA, CA. 92626</b>		<b>(714) 546-3478</b> <b>www.secoseals.com</b>		
MAT'L:	See Note 1	FSCM:		4730	FILE NAME:	SECO7CT8				REV.
TREATMENT:	Annealed after Forming	INCHES DIMENSIONS IN INCHES 3RD ANGLE PROJECTION 	DESC.: Conical Seal for 1/2" Flared Tube Fitting, 37 Degree.						STANDARD: SECO 7	
MAT'L SIZE:	.010 Thk. Sheet		TITLE: SECO 7 Seal				DRAWN BY Joe Littel		CAGE CODE: 33447	
			DATE DRAWN 4/16/2015		SCALE 2:1		CHECKED BY Jim Scott		SHEET 1 of 1	