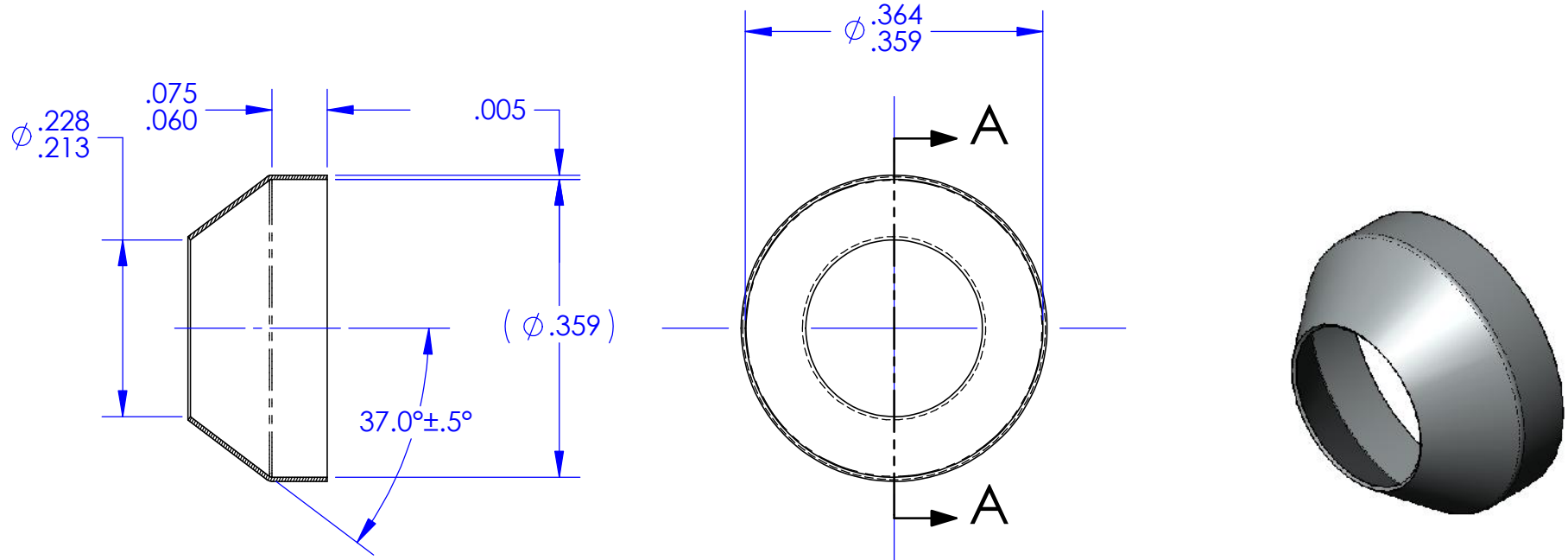


REVISIONS			
REV.	DESCRIPTION	DATE	APPROVED
G	As Released	7/15/1998	SECO



SECTION A-A

NOTES: UNLESS OTHERWISE SPECIFIED

1. MATERIAL: COPPER STRIP, ANNEALED, TYPE C10100, C10200 OR C11000
CHEMICAL COMPOSITION PER ASTM B 152, MECHANICAL PROPERTIES PER ASTM B 451.
2. FINISH: TINPLATED PER MIL-T-10727, TYPE 1 OR AMS 2408-2.
3. THESE PARTS ARE ANNEALED. DIMENSIONS "A" AND "C" SHALL BE VERIFIED BY INSTALLING THE SEAL ON A STANDARD FITTING PER MS33514 OF APPROPRIATE SIZE. AN OUT-OF ROUND CONDITION WHICH DOES NOT PREVENT SUCH INSTALLATION SHALL NOT BE A CAUSE FOR REJECTION UNLESS THE SEAL MATERIAL IS CREASED OR NICKED.
4. BREAK ALL SHARP EDGES AND REMOVE ALL BURRS.

ECCN 9A991.d		DRAWING SIZE		SECO SEALS, INC. 1370 LOGAN AVE. UNIT K (714) 546-3478 sales@secoseals.com COSTA MESA, CA. 92626 www.secoseals.com	
MAT'L:	FSCM:	A INCHES DIMENSIONS IN INCHES 3RD ANGLE PROJECTION 		FILE NAME:	REV.
See Note 1	4730		SECO7CT4	G	
TREATMENT:	Annealed after Forming	DESC.:	STANDARD:		
MAT'L SIZE:		Conical Seal for 1/4" Flared Tube Fitting, 37 Degree.	SECO 7		
.005 Thk. Sheet		TITLE:	DRAWN BY:	CAGE CODE:	
		SECO 7 Seal	Joe Littell	33447	
		DATE DRAWN:	CHECKED BY:	SHEET	
		4/16/2015	Jim Scott	1 of 1	
		SCALE:			
		5:1			