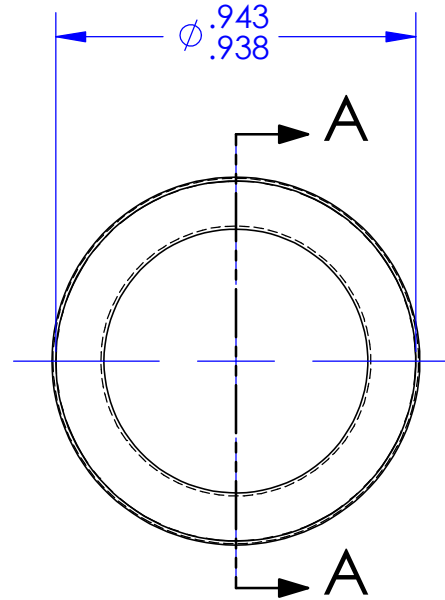
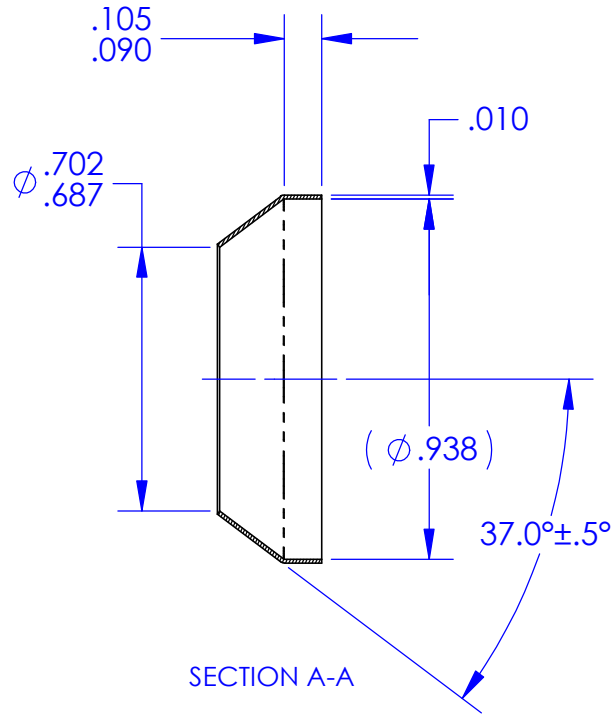


REVISIONS			
REV.	DESCRIPTION	DATE	APPROVED
G	As Released	7/15/1998	SECO



**NOTES: UNLESS OTHERWISE SPECIFIED**

1. MATERIAL: ALUMINUM ALLOY 1100 SHEET, CONDITION "0" PER QQ-A-250/1, QQ-A-1876 OR AMS 4001.
2. FINISH: TINPLATED PER MIL-T-10727, TYPE 1 OR AMS 2408-2.
3. THESE PARTS ARE ANNEALED. DIMENSIONS "A" AND "C" SHALL BE VERIFIED BY INSTALLING THE SEAL ON A STANDARD FITTING PER MS33514 OF APPROPRIATE SIZE. AN OUT-OF ROUND CONDITION WHICH DOES NOT PREVENT SUCH INSTALLATION SHALL NOT BE A CAUSE FOR REJECTION UNLESS THE SEAL MATERIAL IS CREASED OR NICKED.
4. BREAK ALL SHARP EDGES AND REMOVE ALL BURRS.

ECCN 9A991.d		DRAWING SIZE		SECO SEALS, INC.	1370 LOGAN AVE. UNIT K	(714) 546-3478
MATL: See Note 1	FSCM: 4730	<b>A</b>		sales@secoseals.com	COSTA MESA, CA. 92626	www.secoseals.com
TREATMENT: Annealed after Forming		INCHES DIMENSIONS IN INCHES 3RD ANGLE PROJECTION 	DESC.: Conical Seal for 3/4" Flared Tube Fitting, 37 Degree.			STANDARD: SECO 7
MAT'L SIZE: .010 Thk. Sheet			TITLE: SECO 7 Seal		DRAWN BY Joe Littel	CAGE CODE: 33447
		DATE DRAWN 4/10/2015	SCALE 2:1	CHECKED BY Jim Scott	SHEET 1 of 1	
		FILE NAME: SECO7AT12		REV. G		