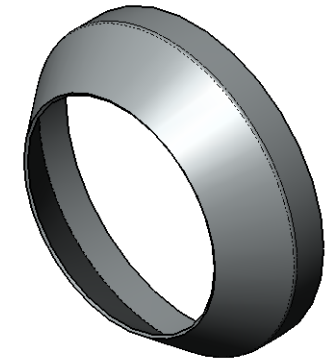
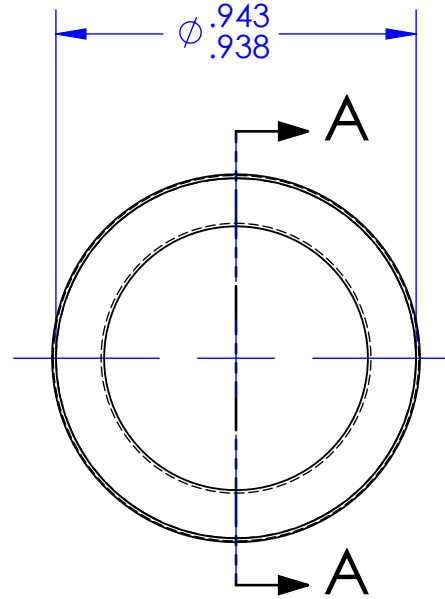
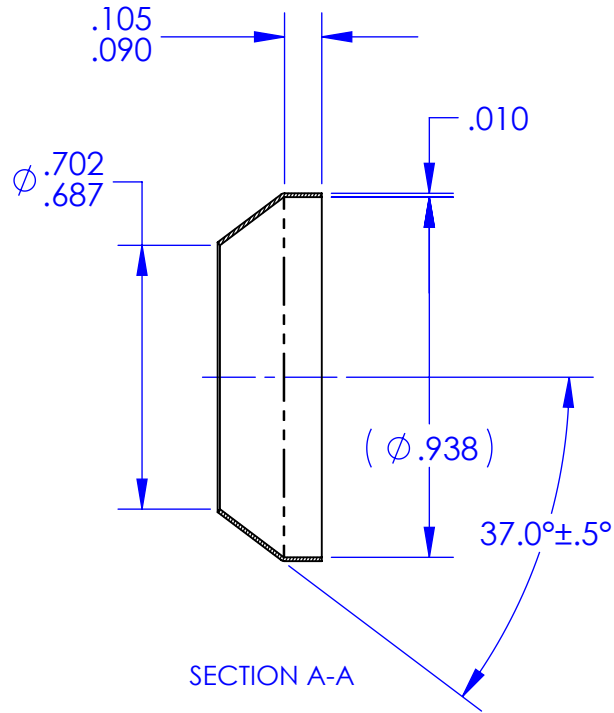


| REVISIONS |             |           |          |
|-----------|-------------|-----------|----------|
| REV.      | DESCRIPTION | DATE      | APPROVED |
| G         | As Released | 7/15/1998 | SECO     |



**NOTES: UNLESS OTHERWISE SPECIFIED**

1. MATERIAL: NICKEL STRIP 201, PER ASTM B 162 OR AMS 5553.
2. FINISH: TINPLATED PER MIL-T-10727, TYPE 1 OR AMS 2408-2.
3. THESE PARTS ARE ANNEALED. DIMENSIONS "A" AND "C" SHALL BE VERIFIED BY INSTALLING THE SEAL ON A STANDARD FITTING PER MS33514 OF APPROPRIATE SIZE. AN OUT-OF ROUND CONDITION WHICH DOES NOT PREVENT SUCH INSTALLATION SHALL NOT BE A CAUSE FOR REJECTION UNLESS THE SEAL MATERIAL IS CREASED OR NICKED.
4. BREAK ALL SHARP EDGES AND REMOVE ALL BURRS.

|                        |       |  |             |  |      |
|------------------------|-------|--|-------------|--|------|
| ECCN 9A991.d           |       | DRAWING SIZE   |             | <b>SECO SEALS, INC.</b> 1370 LOGAN AVE. UNIT K (714) 546-3478<br>sales@secoseals.com COSTA MESA, CA. 92626 www.secoseals.com |      |
| MAT'L:                 | FSCM: | <b>A</b><br>DIMENSIONS IN INCHES<br>3RD ANGLE PROJECTION |             | FILE NAME:   | REV. |
| See Note 1             | 4730  |  | SECO7NT12   | G  |      |
| TREATMENT:             |       | DESC.:   | STANDARD:   |  |      |
| Annealed after Forming |       | Conical Seal for 3/4" Flared Tube Fitting, 37 Degree.    | SECO 7      |  |      |
| MAT'L SIZE:            |       | TITLE:   | DRAWN BY:   | CAGE CODE:   |      |
| .010 Thk. Sheet        |       | SECO 7 Seal  | Joe Littel  | 33447  |      |
|                        |       | DATE DRAWN:  | CHECKED BY: | SHEET  |      |
|                        |       | 4/21/2015  | Jim Scott   | 1 of 1   |      |
|                        |       | SCALE:   |             |  |      |
|                        |       | 2:1  |             |  |      |