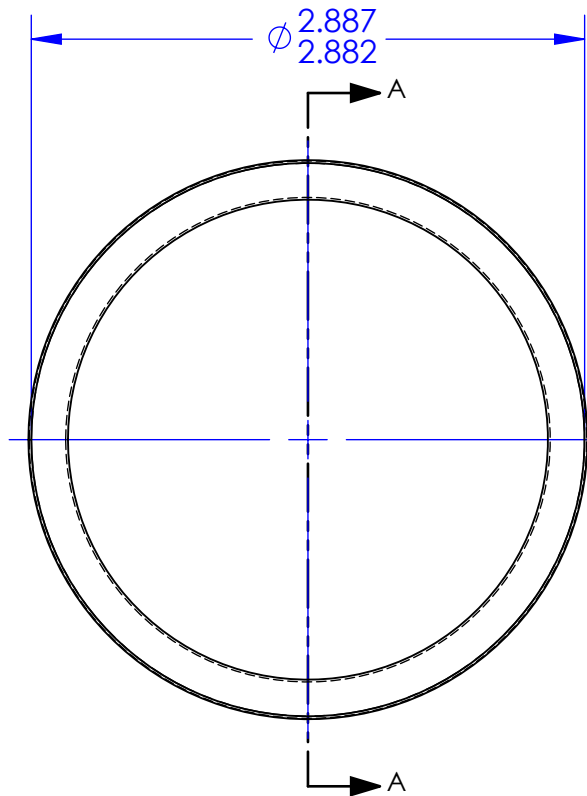
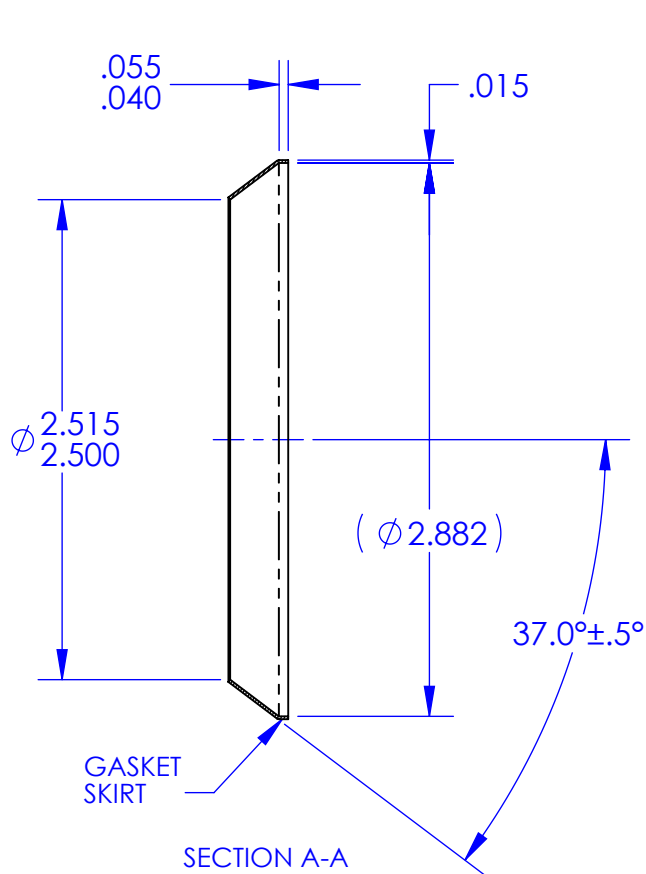


NOTES: UNLESS OTHERWISE SPECIFIED

1. MATERIAL: NI CKEL STRIP 201, ANNEALED, PER ASTM B 162 OR AMS 5553
2. FINISH: NONE.
3. THESE PARTS ARE ANNEALED. DIMENSIONS "A" AND "C" SHALL BEVERIFIED BY INSTALLING THE SEAL ON A STANDARD FITTING PER MS33514 OF APPROPRIATE SIZE. AN OUT-OF ROUND CONDITION WHICH DOES NOT PREVENT SUCH INSTALLATION SHALL NOT BE A CAUSE FOR REJECTION UNLESS THE SEAL MATERIAL IS CREASED OR NICKED.
4. BREAK ALL SHARP EDGES AND REMOVE ALL BURRS.

REVISIONS

REV.	DESCRIPTION	DATE	APPROVED
G	As Released	7/15/1998	SECO



ECCN 9A991.d		DRAWING SIZE		SECO SEALS, INC.	1370 LOGAN AVE. UNIT K	(714) 546-3478
MAT'L:	FSCM:			sales@secoseals.com	COSTA MESA, CA. 92626	www.secoseals.com
See Note 1	4730		FILE NAME:	SECO7N40		
TREATMENT:	INCHES DIMENSIONS IN INCHES 3RD ANGLE PROJECTION 	DESC.: Conical Seal for 2 1/2" Flared Tube Fitting, 37 Degree.				STANDARD:
Annealed after Forming		TITLE: SECO 7 Seal				SECO 7
MAT'L SIZE:		DRAWN BY		CAGE CODE:		
.015 Thk. Sheet		Joe Littel		33447		
DATE DRAWN		SCALE		CHECKED BY		SHEET
4/21/2015		1:1		Jim Scott		1 of 1