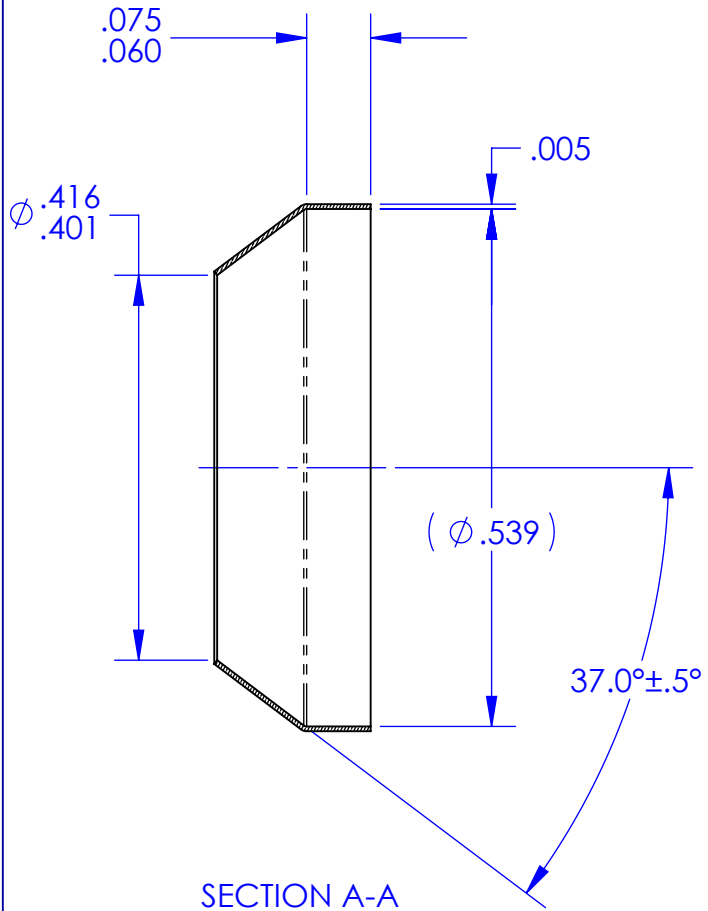
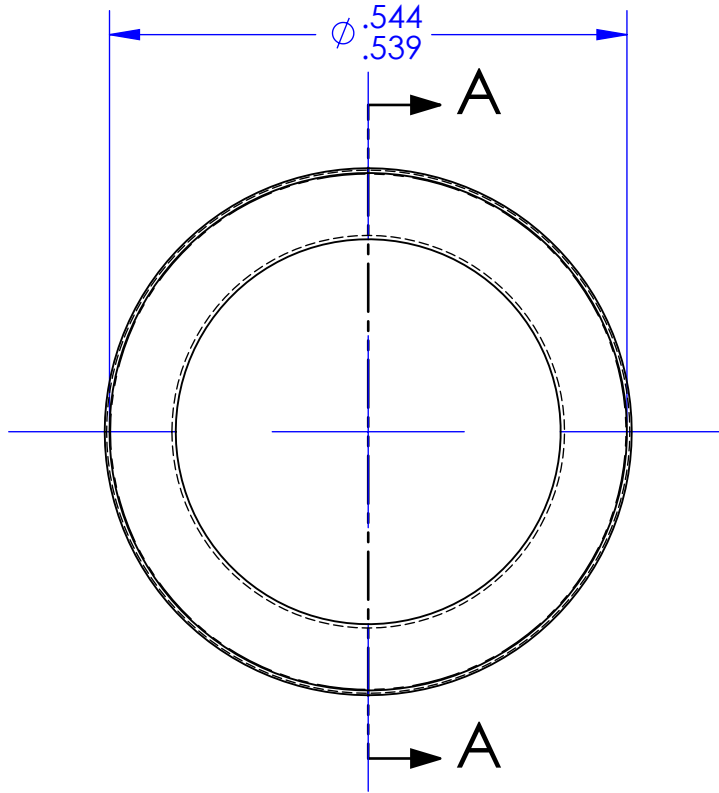


REVISIONS			
REV.	DESCRIPTION	DATE	APPROVED
G	As Released	7/15/1998	SECO




SECTION A-A



NOTES: UNLESS OTHERWISE SPECIFIED

1. MATERIAL: CORROSION RESISTANT STEEL STRIP TYPE 305 OR 304. PER QQ-S-766 OR ASTM A 240.
2. FINISH: TINPLATED PER MIL-T-10727, TYPE 1 OR AMS 2408-2.
3. THESE PARTS ARE ANNEALED. DIMENSIONS "A" AND "C" SHALL BE VERIFIED BY INSTALLING THE SEAL ON A STANDARD FITTING PER MS33514 OF APPROPRIATE SIZE. AN OUT-OF ROUND CONDITION WHICH DOES NOT PREVENT SUCH INSTALLATION SHALL NOT BE A CAUSE FOR REJECTION UNLESS THE SEAL MATERIAL IS CREASED OR NICKED.
4. BREAK ALL SHARP EDGES AND REMOVE ALL BURRS.

ECCN 9A991.d		DRAWING SIZE	SECO SEALS, INC. 1370 LOGAN AVE. UNIT K (714) 546-3478	
MATERIAL: See Note 1		FSCM: 4730	sales@secoseals.com COSTA MESA, CA. 92626 www.secoseals.com	
TREATMENT: Annealed after Forming		 INCHES DIMENSIONS IN INCHES 3RD ANGLE PROJECTION	FILE NAME: SECO7ST7	
MATERIAL SIZE: .005 Thk. Sheet			REV. G	
DESC.: Conical Seal for 7/16" Flared Tube Fitting, 37 Degree.			STANDARD: SECO 7	
TITLE: SECO 7 Seal			DRAWN BY: Joe Littel	
DATE DRAWN: 4/21/2015			SCALE: 5:1	
CHECKED BY: Jim Scott			CAGE CODE: 33447	
SHEET 1 of 1			SHEET 1 of 1	