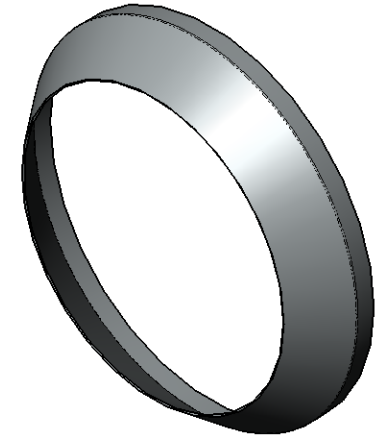
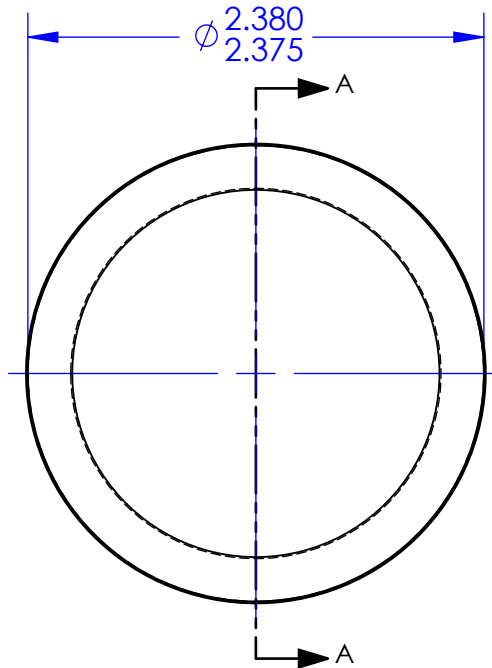
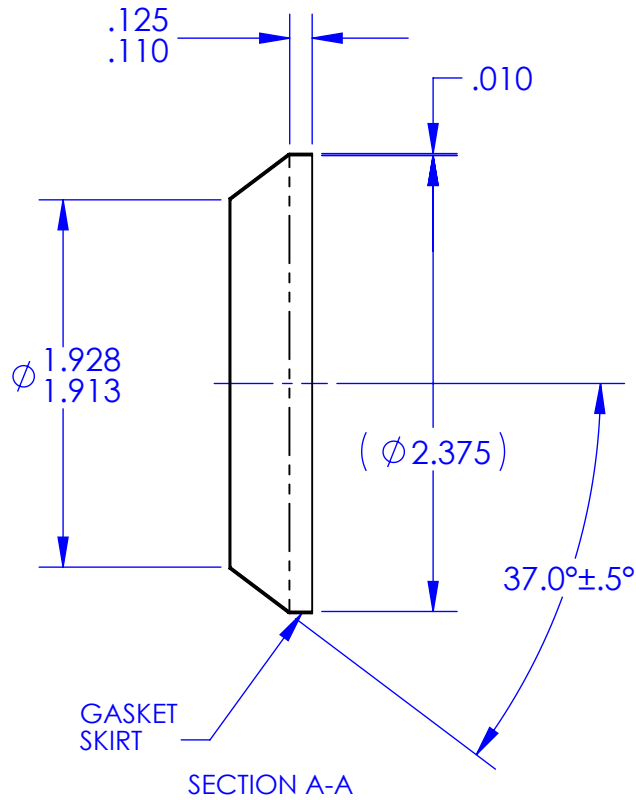


| REVISIONS |             |           |          |
|-----------|-------------|-----------|----------|
| REV.      | DESCRIPTION | DATE      | APPROVED |
| G         | As Released | 7/15/1998 | SECO     |



**NOTES: UNLESS OTHERWISE SPECIFIED**

1. MATERIAL: CORROSION RESISTANT STEEL STRIP TYPE 305 OR 304. PER QQ-S-766 OR ASTM A 240.
2. FINISH: TINPLATED PER MIL-T-10727, TYPE 1 OR AMS 2408-2.
3. THESE PARTS ARE ANNEALED. DIMENSIONS "A" AND "C" SHALL BE VERIFIED BY INSTALLING THE SEAL ON A STANDARD FITTING PER MS33514 OF APPROPRIATE SIZE. AN OUT-OF-ROUND CONDITION WHICH DOES NOT PREVENT SUCH INSTALLATION SHALL NOT BE A CAUSE FOR REJECTION UNLESS THE SEAL MATERIAL IS CREASED OR NICKED.
4. BREAK ALL SHARP EDGES AND REMOVE ALL BURRS.

|                        |   |   |           |   |        |
|------------------------|---|---|-----------|---|--------|
| ECCN 9A991.d           |   | DRAWING SIZE  |           | SECO SEALS, INC. 1370 LOGAN AVE. UNIT K (714) 546-3478<br>sales@secoseals.com COSTA MESA, CA. 92626 www.secoseals.com |        |
| MAT'L:                 | FSCM:   | <b>A</b>  |           | FILE NAME:  | REV.   |
| See Note 1             | 4730  |   | SECO7ST32 | G   |        |
| TREATMENT:             | <b>INCHES</b><br>DIMENSIONS IN INCHES<br>3RD ANGLE PROJECTION | DESC.:  |           | STANDARD:   |        |
| Annealed after Forming |   | Conical Seal for 2" Flared Tube Fitting, 37 Degree. |           | SECO 7  |        |
| MAT'L SIZE:            |   | TITLE:  |           | CAGE CODE:  |        |
| .010 Thk. Sheet        |   | SECO 7 Seal   |           | 33447   |        |
|                        |   | DATE DRAWN  | SCALE     | CHECKED BY  | SHEET  |
|                        |   | 4/21/2015   | 1:1       | Joe Littel  | 1 of 1 |
|                        |   |   |           | Jim Scott   |        |