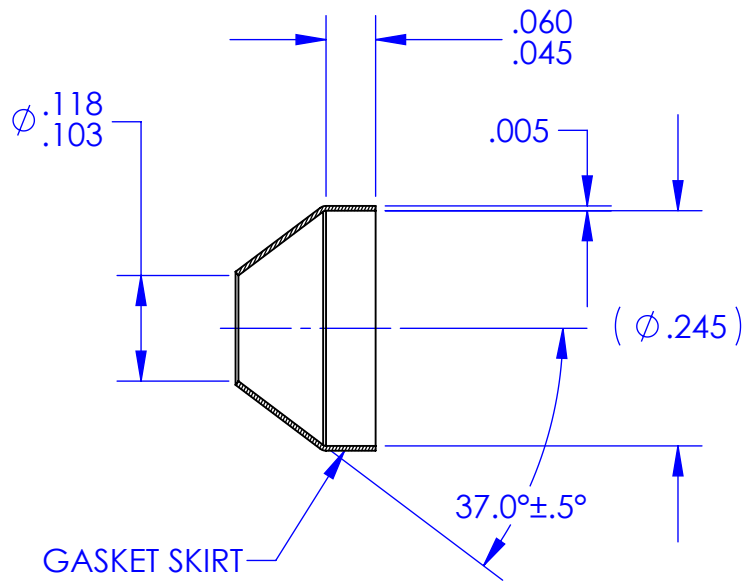
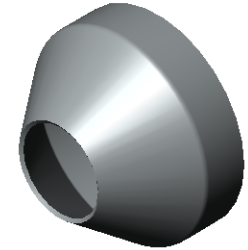
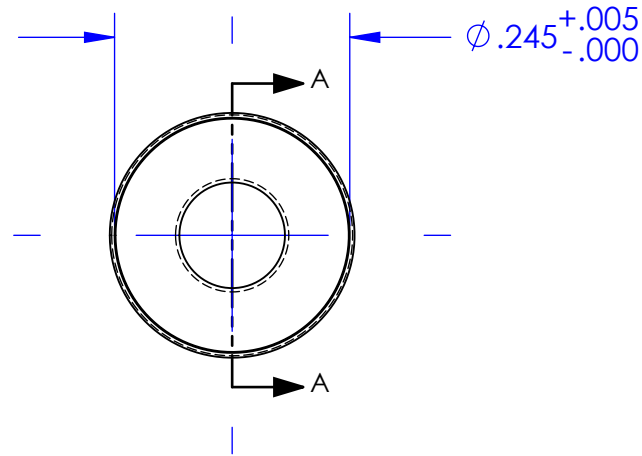


REVISIONS			
REV.	DESCRIPTION	DATE	APPROVED
G	As Released	7/15/1998	SECO



SECTION A-A



NOTES: UNLESS OTHERWISE SPECIFIED

1. MATERIAL: CORROSION RESISTANT STEEL STRIP TYPE 305 OR 304. PER QQ-S-766 OR ASTM A 240.
2. FINISH: TINPLATED PER MIL-T-10727, TYPE 1 OR AMS 2408-2.
3. THESE PARTS ARE ANNEALED. DIMENSIONS "A" AND "C" SHALL BE VERIFIED BY INSTALLING THE SEAL ON A STANDARD FITTING PER MS33514 OF APPROPRIATE SIZE. AN OUT-OF ROUND CONDITION WHICH DOES NOT PREVENT SUCH INSTALLATION SHALL NOT BE A CAUSE FOR REJECTION UNLESS THE SEAL MATERIAL IS CREASED OR NICKED.
4. BREAK ALL SHARP EDGES AND REMOVE ALL BURRS.

ECCN 9A991.d		DRAWING SIZE		SECO SEALS, INC. sales@secoseals.com		1370 LOGAN AVE. UNIT K COSTA MESA, CA. 92626		(714) 546-3478 www.secoseals.com		
MAT'L:	FSCM:			FILE NAME:	SECO7ST2		REV.		G	
See Note 1			4730							
TREATMENT:		INCHES DIMENSIONS IN INCHES 3RD ANGLE PROJECTION 		DESC.:				STANDARD:		
Annealed after Forming				Conical Seal for 1/8" Flared Tube Fitting, 37 Degree.				SECO 7		
MAT'L SIZE:				TITLE:		DRAWN BY:		CAGE CODE:		
.005 Thk. Sheet				SECO 7 Seal		Joe Littel		33447		
				DATE DRAWN		SCALE		CHECKED BY		
				4/21/2015		5:1		Jim Scott		
								SHEET		
								1 of 1		