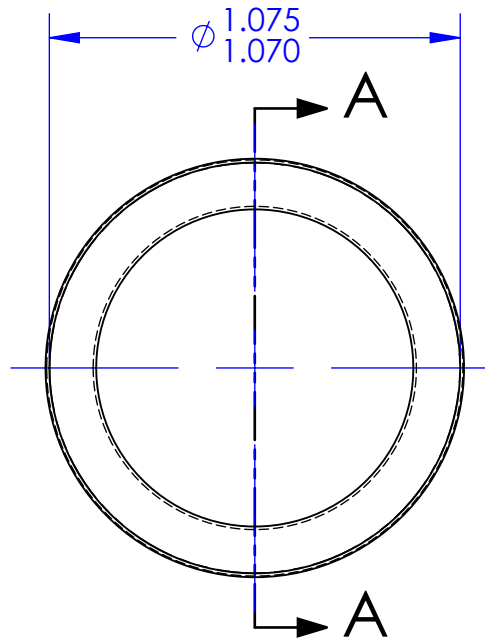
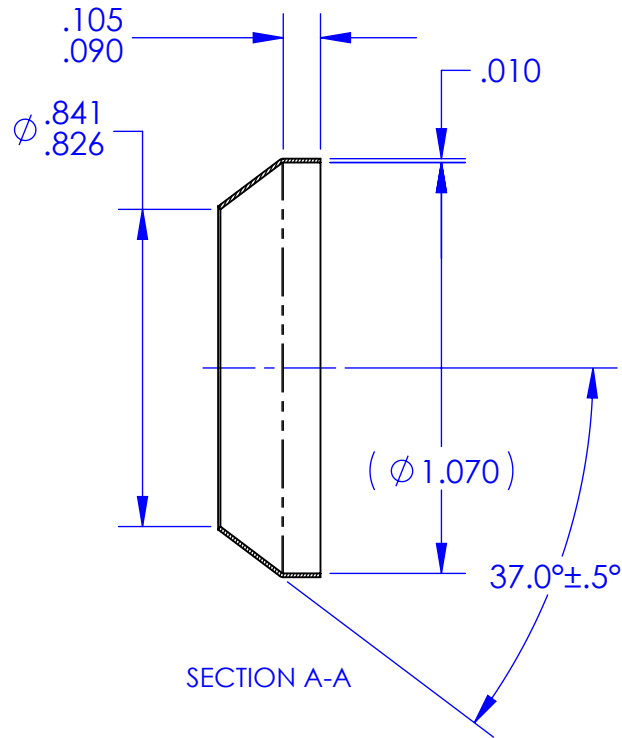


REVISIONS			
REV.	DESCRIPTION	DATE	APPROVED
G	As Released	7/15/1998	SECO



**NOTES: UNLESS OTHERWISE SPECIFIED**

- MATERIAL:** CORROSION RESISTANT STEEL STRIP TYPE 305 OR 304. PER QQ-S-766 OR ASTM A 240.
- FINISH:** TINPLATED PER MIL-T-10727, TYPE 1 OR AMS 2408-2.
- THESE PARTS ARE ANNEALED. DIMENSIONS "A" AND "C" SHALL BE VERIFIED BY INSTALLING THE SEAL ON A STANDARD FITTING PER MS33514 OF APPROPRIATE SIZE. AN OUT-OF ROUND CONDITION WHICH DOES NOT PREVENT SUCH INSTALLATION SHALL NOT BE A CAUSE FOR REJECTION UNLESS THE SEAL MATERIAL IS CREASED OR NICKED.
- BREAK ALL SHARP EDGES AND REMOVE ALL BURRS.

ECCN 9A991.d		DRAWING SIZE		<b>SECO SEALS, INC.</b> sales@secoseals.com		<b>1370 LOGAN AVE. UNIT K</b> <b>COSTA MESA, CA. 92626</b>		<b>(714) 546-3478</b> <b>www.secoseals.com</b>		
MAT'L:	FSCM:			FILE NAME:	REV.		STANDARD:		CAGE CODE:	
See Note 1	4730		SECO7ST14	G		SECO 7		33447		
TREATMENT:	INCHES		DESC.:				STANDARD:			
Annealed after Forming	DIMENSIONS IN INCHES 3RD ANGLE PROJECTION		Conical Seal for 7/8" Flared Tube Fitting, 37 Degree.				SECO 7			
MAT'L SIZE:			TITLE:		DRAWN BY:		CAGE CODE:		SHEET	
.010 Thk. Sheet			SECO 7 Seal		Joe Littel		33447		1 of 1	
			DATE DRAWN		SCALE		CHECKED BY			
			4/21/2015		2:1		Jim Scott			