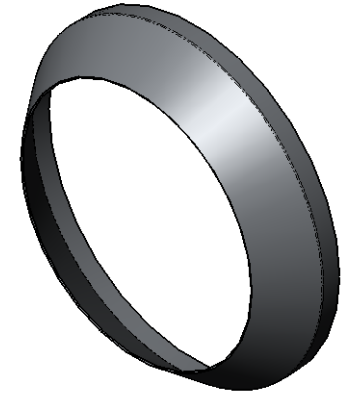
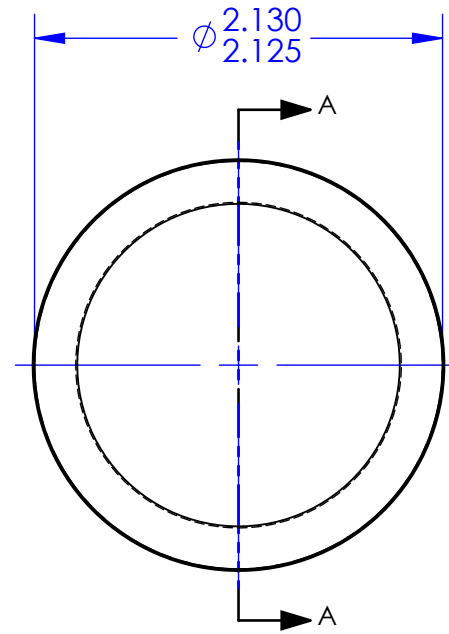
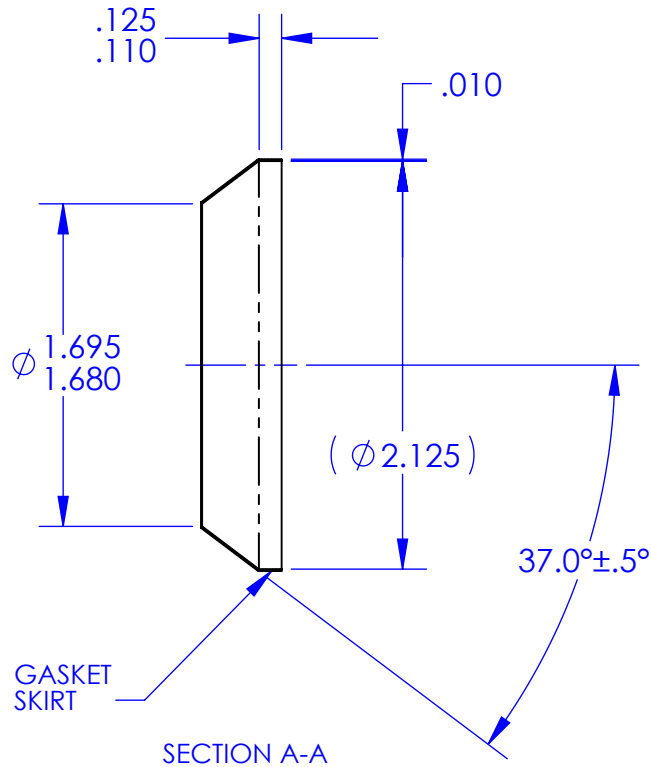
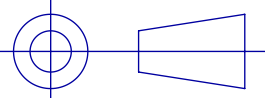


REVISIONS			
REV.	DESCRIPTION	DATE	APPROVED
G	As Released	7/15/1998	SECO



**NOTES: UNLESS OTHERWISE SPECIFIED**

1. MATERIAL: CORROSION RESISTANT STEEL STRIP TYPE 305 OR 304. PER QQ-S-766 OR ASTM A 240.
2. FINISH: SILVER PLATED PER AMS 2410.
3. THESE PARTS ARE ANNEALED. DIMENSIONS "A" AND "C" SHALL BE VERIFIED BY INSTALLING THE SEAL ON A STANDARD FITTING PER MS33514 OF APPROPRIATE SIZE. AN OUT-OF-ROUND CONDITION WHICH DOES NOT PREVENT SUCH INSTALLATION SHALL NOT BE A CAUSE FOR REJECTION UNLESS THE SEAL MATERIAL IS CREASED OR NICKED.
4. BREAK ALL SHARP EDGES AND REMOVE ALL BURRS.

ECCN 9A991.d		DRAWING SIZE		SECO SEALS, INC.	1370 LOGAN AVE. UNIT K	(714) 546-3478
MAT'L:	FSCM:			sales@secoseals.com	COSTA MESA, CA. 92626	www.secoseals.com
See Note 1	4730		FILE NAME:	SECO7SS28		
TREATMENT:	<b>INCHES</b> DIMENSIONS IN INCHES 3RD ANGLE PROJECTION 	DESC.: Conical Seal for 1 3/4" Flared Tube Fitting, 37 Degree.				STANDARD:
Annealed after Forming		TITLE: SECO 7 Seal				SECO 7
MAT'L SIZE:		DRAWN BY:		CAGE CODE:		
.010 Thk. Sheet		Joe Littel		33447		
DATE DRAWN		SCALE		CHECKED BY		SHEET
4/21/2015		1:1		Jim Scott		1 of 1