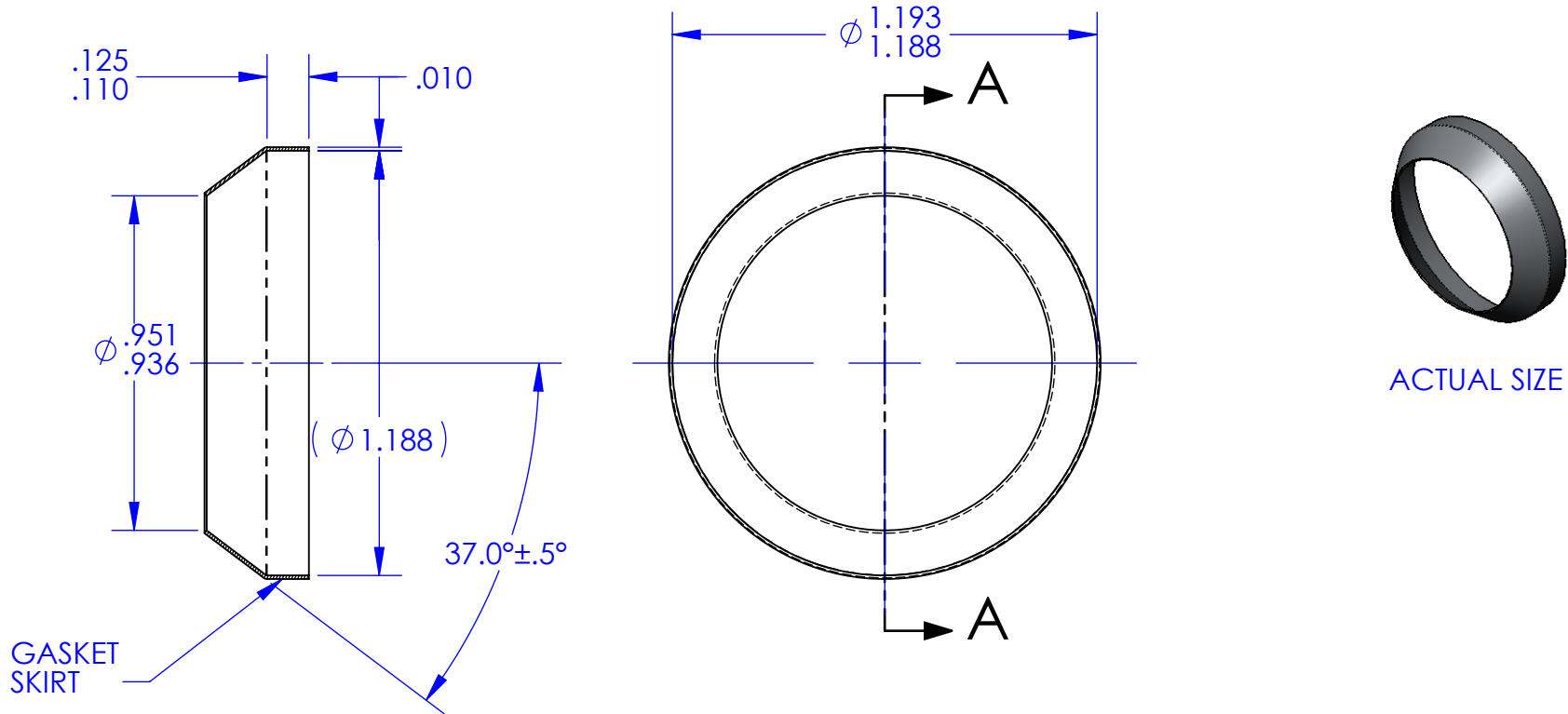


REVISIONS			
REV.	DESCRIPTION	DATE	APPROVED
G	As Released	7/15/1998	SECO



SECTION A-A

NOTES: UNLESS OTHERWISE SPECIFIED

1. MATERIAL: CORROSION RESISTANT STEEL STRIP TYPE 305 OR 304. PER QQ-S-766 OR ASTM A 240.
2. FINISH: SILVER PLATED PER AMS 2410.
3. THESE PARTS ARE ANNEALED. DIMENSIONS "A" AND "C" SHALL BE VERIFIED BY INSTALLING THE SEAL ON A STANDARD FITTING PER MS33514 OF APPROPRIATE SIZE. AN OUT-OF ROUND CONDITION WHICH DOES NOT PREVENT SUCH INSTALLATION SHALL NOT BE A CAUSE FOR REJECTION UNLESS THE SEAL MATERIAL IS CREASED OR NICKED.
4. BREAK ALL SHARP EDGES AND REMOVE ALL BURRS.

ECCN 9A991.d		DRAWING SIZE		SECO SEALS, INC. 1370 LOGAN AVE. UNIT K (714) 546-3478 sales@secoseals.com COSTA MESA, CA. 92626 www.secoseals.com	
MAT'L:	FSCM:	A		FILE NAME:	REV.
See Note 1	4730		SECO7SS16	G	
TREATMENT:	INCHES DIMENSIONS IN INCHES 3RD ANGLE PROJECTION	DESC.:		STANDARD:	
Annealed after Forming		Conical Seal for 1" Flared Tube Fitting, 37 Degree.		SECO 7	
MAT'L SIZE:		TITLE:		CAGE CODE:	
.010 Thk. Sheet		SECO 7 Seal		33447	
		DATE DRAWN	SCALE	CHECKED BY	SHEET
		4/21/2015	2:1	Jim Scott	1 of 1