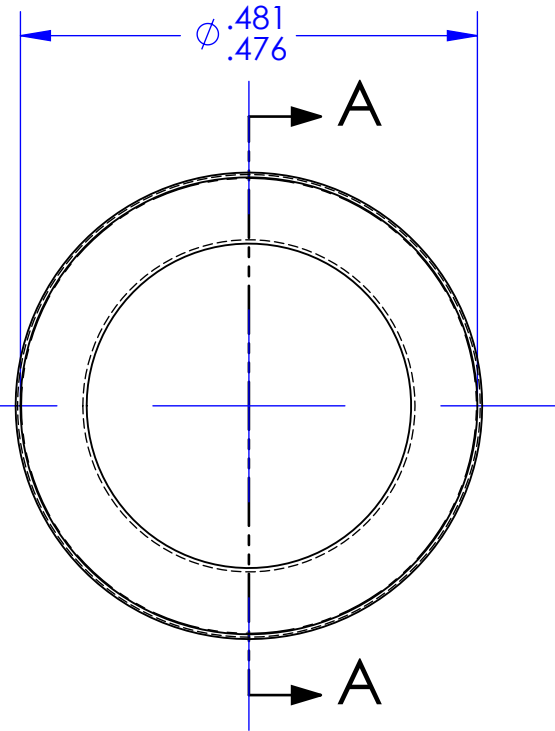
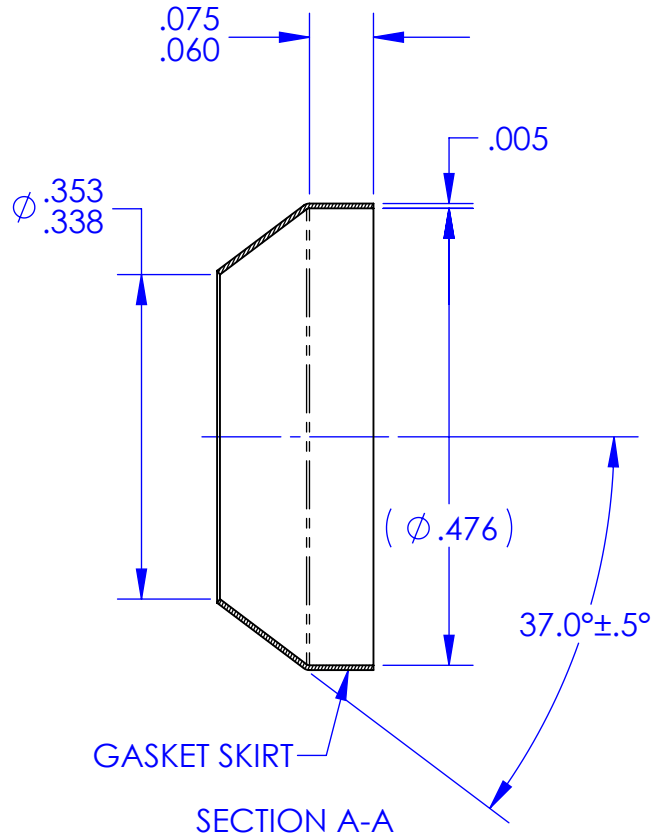


REVISIONS			
REV.	DESCRIPTION	DATE	APPROVED
G	As Released	7/15/1998	SECO



NOTES: UNLESS OTHERWISE SPECIFIED

1. MATERIAL: CORROSION RESISTANT STEEL STRIP TYPE 305 OR 304. PER QQ-S-766 OR ASTM A 240.
2. FINISH: NONE.
3. THESE PARTS ARE ANNEALED. DIMENSIONS "A" AND "C" SHALL BE VERIFIED BY INSTALLING THE SEAL ON A STANDARD FITTING PER MS33514 OF APPROPRIATE SIZE. AN OUT-OF ROUND CONDITION WHICH DOES NOT PREVENT SUCH INSTALLATION SHALL NOT BE A CAUSE FOR REJECTION UNLESS THE SEAL MATERIAL IS CREASED OR NICKED.
4. BREAK ALL SHARP EDGES AND REMOVE ALL BURRS.

ECCN 9A991.d		DRAWING SIZE		SECO SEALS, INC. sales@secoseals.com		1370 LOGAN AVE. UNIT K COSTA MESA, CA. 92626		(714) 546-3478 www.secoseals.com		
MAT'L:	See Note 1	FSCM:		4730	FILE NAME:	SECO7S6		REV.	G	
TREATMENT:	Annealed after Forming	INCHES DIMENSIONS IN INCHES 3RD ANGLE PROJECTION 	DESC.:				STANDARD:			
MAT'L SIZE:	.005 Thk. Sheet		Conical Seal for 3/8" Flared Tube Fitting, 37 Degree.				SECO 7			
			TITLE:		DRAWN BY:		CAGE CODE:			
			SECO 7 Seal		Joe Littel		33447			
			DATE DRAWN:		SCALE:		CHECKED BY:		SHEET:	
			4/21/2015		5:1		Jim Scott		1 of 1	