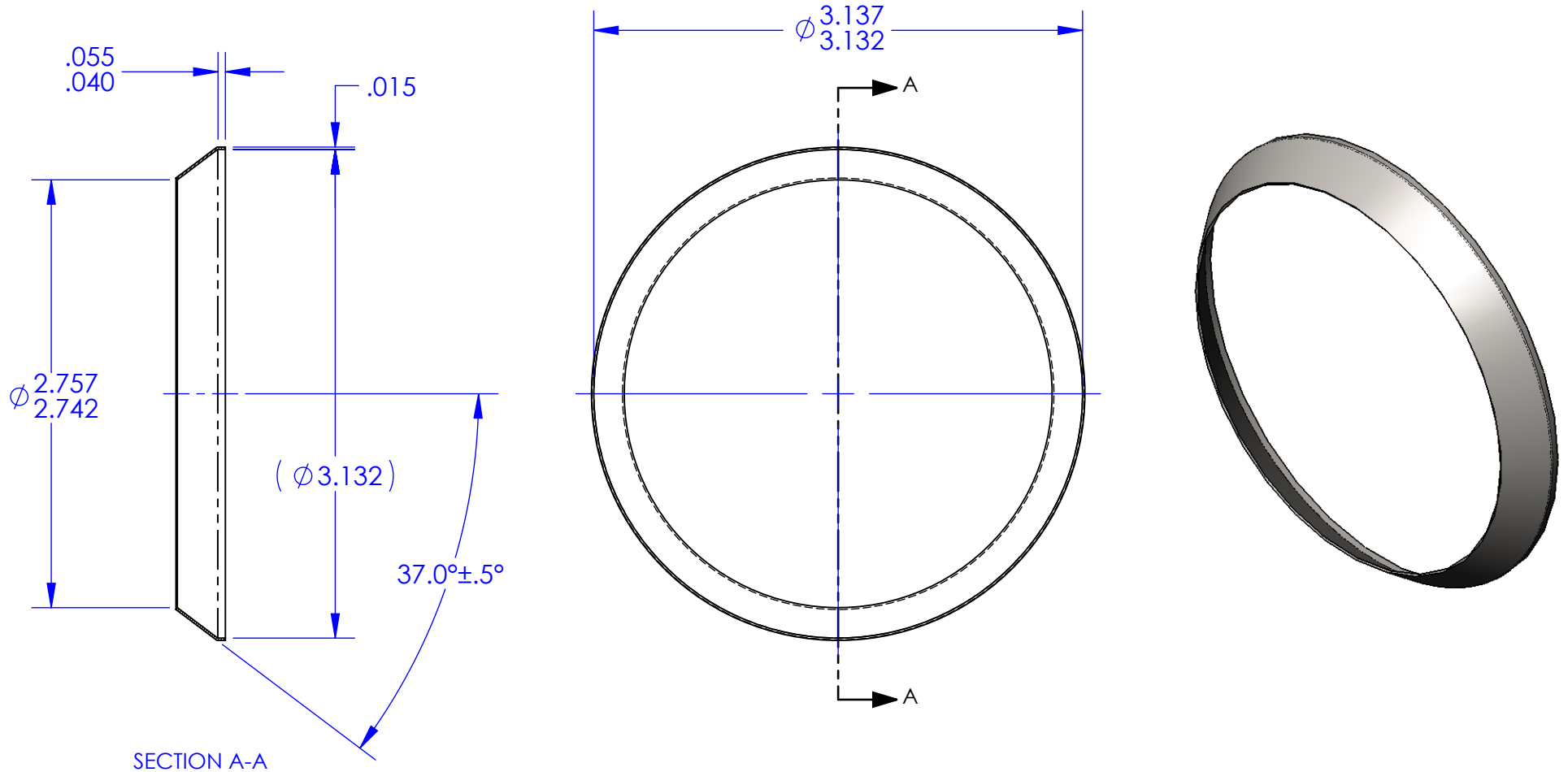




**NOTES: UNLESS OTHERWISE SPECIFIED**

1. MATERIAL: CORROSION RESISTANT STEEL STRIP TYPE 305 OR 304. PER QQ-S-766 OR ASTM A 240.
2. FINISH: NONE.
3. THESE PARTS ARE ANNEALED. DIMENSIONS "A" AND "C" SHALL BEVERIFIED BY INSTALLING THE SEAL ON A STANDARD FITTING PER MS33514 OF APPROPRIATE SIZE. AN OUT-OF ROUND CONDITION WHICH DOES NOT PREVENT SUCH INSTALLATION SHALL NOT BE A CAUSE FOR REJECTION UNLESS THE SEAL MATERIAL IS CREASED OR NICKED.
4. BREAK ALL SHARP EDGES AND REMOVE ALL BURRS.

| REVISIONS |             |           |          |
|-----------|-------------|-----------|----------|
| REV.      | DESCRIPTION | DATE      | APPROVED |
| G         | As Released | 7/15/1998 | SECO     |



|                        |   |   |  |                     |                        |                   |
|------------------------|---|---|--|---------------------|------------------------|-------------------|
| ECCN 9A991.d           |   | DRAWING SIZE  |  | SECO SEALS, INC.    | 1370 LOGAN AVE. UNIT K | (714) 546-3478    |
| MAT'L:                 | FSCM:   |  |  | sales@secoseals.com | COSTA MESA, CA. 92626  | www.secoseals.com |
| See Note 1             | 4730  |   | FILE NAME:   | SECO7S44            |                        |                   |
| TREATMENT:             | INCHES<br>DIMENSIONS IN INCHES<br>3RD ANGLE PROJECTION<br> | DESC.:  |  |                     | STANDARD:              |                   |
| Annealed after Forming |   | Conical Seal for 2 3/4" Flared Tube Fitting, 37 Degree.                             |  |                     | SECO 7                 |                   |
| MAT'L SIZE:            |    | TITLE:  |  | DRAWN BY:           | CAGE CODE:             |                   |
| .015 Thk. Sheet        |   | SECO 7 Seal   |  | Joe Littel          | 33447                  |                   |
|                        |   | DATE DRAWN:   | SCALE:   | CHECKED BY:         | SHEET                  |                   |
|                        |   | 4/21/2015   | 1:1  | Jim Scott           | 1 of 1                 |                   |