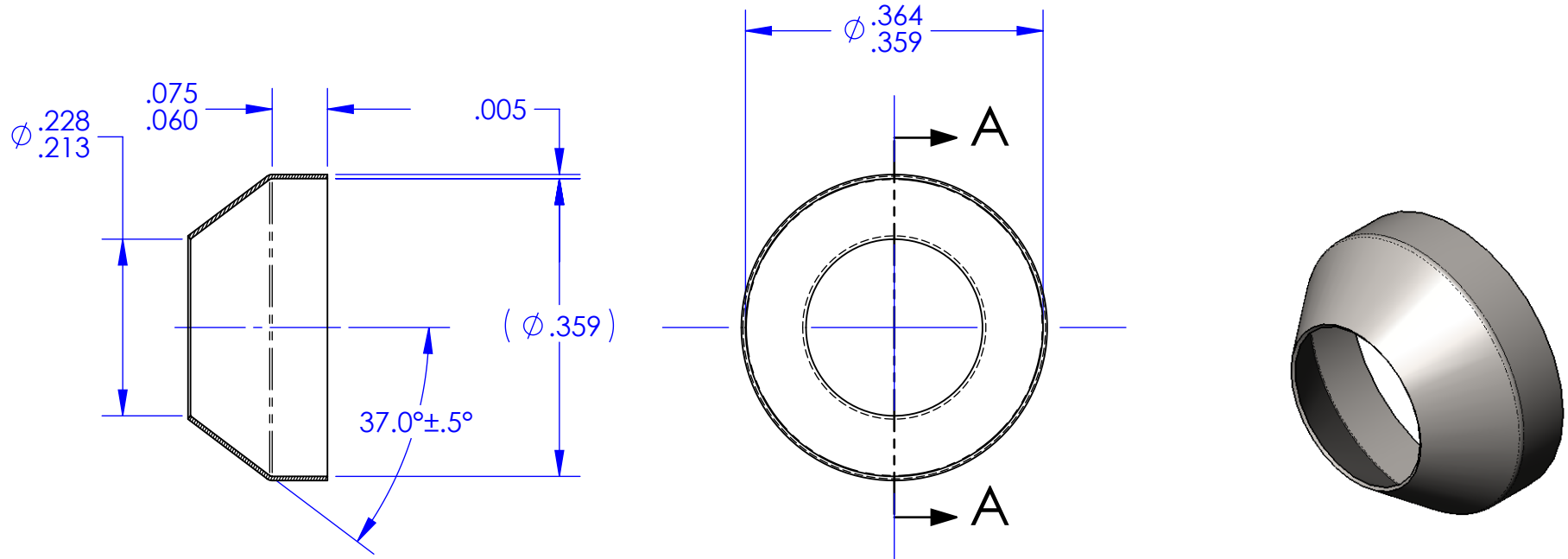



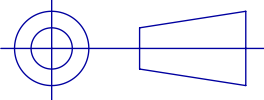
REVISIONS			
REV.	DESCRIPTION	DATE	APPROVED
G	As Released	7/15/1998	SECO



SECTION A-A

**NOTES: UNLESS OTHERWISE SPECIFIED**

- MATERIAL:** CORROSION RESISTANT STEEL STRIP TYPE 305 OR 304. PER QQ-S-766 OR ASTM A 240.
- FINISH:** NONE.
- THESE PARTS ARE ANNEALED. DIMENSIONS "A" AND "C" SHALL BEVERIFIED BY INSTALLING THE SEAL ON A STANDARD FITTING PER MS33514 OF APPROPRIATE SIZE. AN OUT-OF ROUND CONDITION WHICH DOES NOT PREVENT SUCH INSTALLATION SHALL NOT BE A CAUSE FOR REJECTION UNLESS THE SEAL MATERIAL IS CREASED OR NICKED.
- BREAK ALL SHARP EDGES AND REMOVE ALL BURRS.

ECCN 9A991.d		DRAWING SIZE		<b>SECO SEALS, INC.</b> sales@secoseals.com		<b>1370 LOGAN AVE. UNIT K</b> <b>COSTA MESA, CA. 92626</b>		<b>(714) 546-3478</b> <b>www.secoseals.com</b>		
MAT'L:	See Note 1	FSCM:		4730	FILE NAME:	SECO7S4				REV.
TREATMENT:	Annealed after Forming	<b>INCHES</b> DIMENSIONS IN INCHES 3RD ANGLE PROJECTION 		DESC.:				STANDARD:		
MAT'L SIZE:	.005 Thk. Sheet			Conical Seal for 1/4" Flared Tube Fitting, 37 Degree.				SECO 7		
				TITLE:		DRAWN BY:		CAGE CODE:		
				SECO 7 Seal		Joe Littel		33447		
				DATE DRAWN:		SCALE:		CHECKED BY:		
				4/21/2015		5:1		Jim Scott		
								SHEET		
								1 of 1		