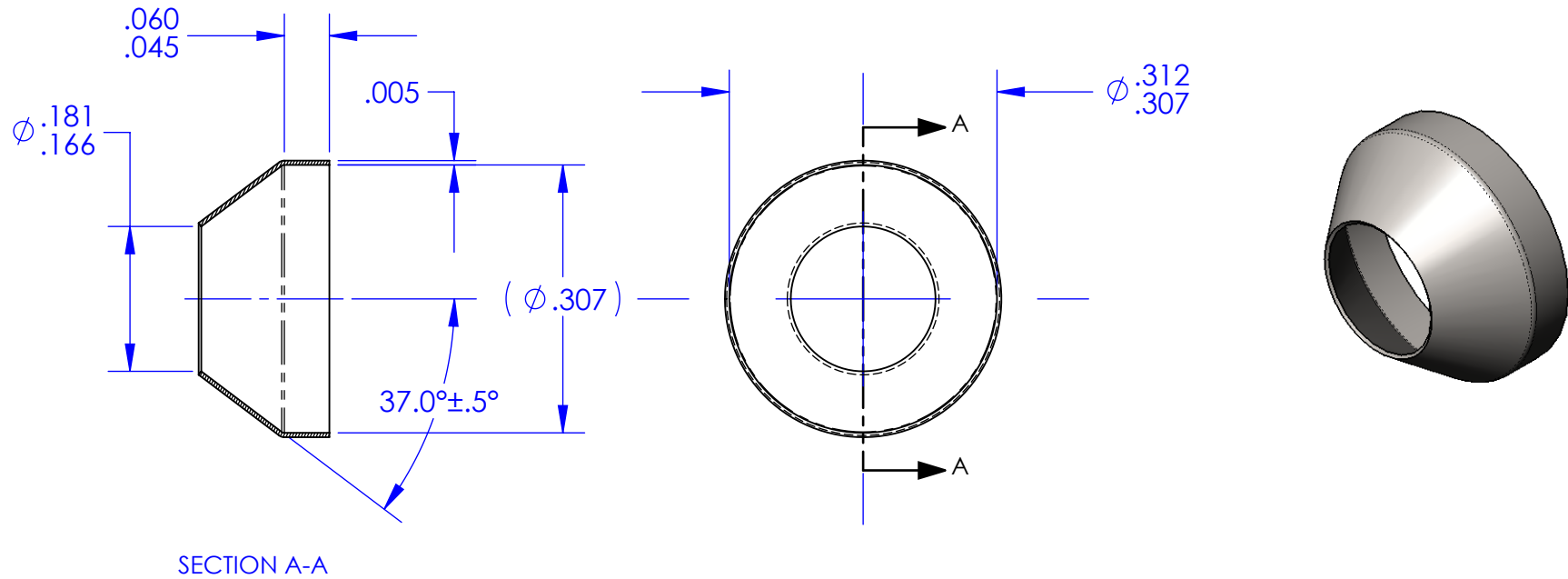


REVISIONS			
REV.	DESCRIPTION	DATE	APPROVED
G	As Released	7/15/1998	SECO



**NOTES: UNLESS OTHERWISE SPECIFIED**

1. MATERIAL: CORROSION RESISTANT STEEL STRIP TYPE 305 OR 304. PER QQ-S-766 OR ASTM A 240.
2. FINISH: NONE.
3. THESE PARTS ARE ANNEALED. DIMENSIONS "A" AND "C" SHALL BE VERIFIED BY INSTALLING THE SEAL ON A STANDARD FITTING PER MS33514 OF APPROPRIATE SIZE. AN OUT-OF-ROUND CONDITION WHICH DOES NOT PREVENT SUCH INSTALLATION SHALL NOT BE A CAUSE FOR REJECTION UNLESS THE SEAL MATERIAL IS CREASED OR NICKED.
4. BREAK ALL SHARP EDGES AND REMOVE ALL BURRS.

ECCN 9A991.d		DRAWING SIZE		<b>SECO SEALS, INC.</b> sales@secoseals.com		<b>1370 LOGAN AVE. UNIT K</b> <b>COSTA MESA, CA. 92626</b>		<b>(714) 546-3478</b> <b>www.secoseals.com</b>	
MAT'L:	FSCM:			FILE NAME:	REV.				
See Note 1	4730			SECO7S3	G				
TREATMENT:	INCHES DIMENSIONS IN INCHES 3RD ANGLE PROJECTION 	DESC.:				STANDARD:			
Annealed after Forming		Conical Seal for 3/16" Flared Tube Fitting, 37 Degree.				SECO 7			
MAT'L SIZE:	TITLE:		DRAWN BY		CAGE CODE:				
.005 Thk. Sheet	SECO 7 Seal		Joe Littel		33447				
DATE DRAWN		SCALE		CHECKED BY		SHEET			
4/21/2015		5:1		Jim Scott		1 of 1			