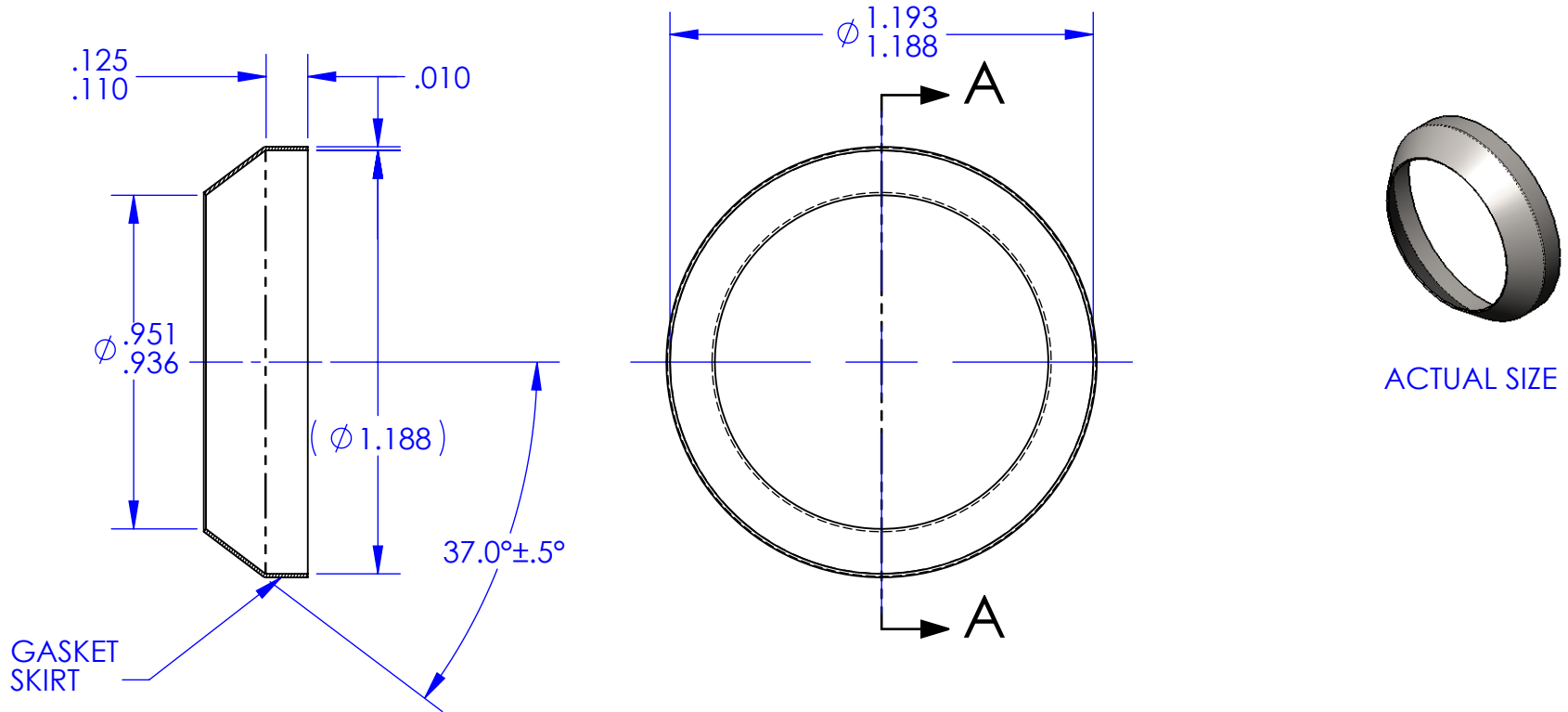


| REVISIONS | | | |
|-----------|-------------|-----------|----------|
| REV. | DESCRIPTION | DATE | APPROVED |
| G | As Released | 7/15/1998 | SECO |



SECTION A-A

NOTES: UNLESS OTHERWISE SPECIFIED

1. MATERIAL: CORROSION RESISTANT STEEL STRIP TYPE 305 OR 304. PER QQ-S-766 OR ASTM A 240.
2. FINISH: NONE.
3. THESE PARTS ARE ANNEALED. DIMENSIONS "A" AND "C" SHALL BE VERIFIED BY INSTALLING THE SEAL ON A STANDARD FITTING PER MS33514 OF APPROPRIATE SIZE. AN OUT-OF ROUND CONDITION WHICH DOES NOT PREVENT SUCH INSTALLATION SHALL NOT BE A CAUSE FOR REJECTION UNLESS THE SEAL MATERIAL IS CREASED OR NICKED.
4. BREAK ALL SHARP EDGES AND REMOVE ALL BURRS.

| | | | | | | | | | | |
|--------------|------------------------|--|-------------|--|------------|---|------------|---|------------|--|
| ECCN 9A991.d | | DRAWING SIZE | | SECO SEALS, INC. sales@secoseals.com | | 1370 LOGAN AVE. UNIT K COSTA MESA, CA. 92626 | | (714) 546-3478 www.secoseals.com | | |
| MAT'L: | See Note 1 | FSCM: | | 4730 | FILE NAME: | SECO7S16 | | REV. | G | |
| TREATMENT: | Annealed after Forming | INCHES DIMENSIONS IN INCHES 3RD ANGLE PROJECTION | DESC.: | | | | STANDARD: | | SECO 7 | |
| MAT'L SIZE: | .010 Thk. Sheet | | TITLE: | | | | DRAWN BY: | | CAGE CODE: | |
| | | | SECO 7 Seal | | | | Joe Littel | | 33447 | |
| | | | DATE DRAWN | 4/21/2015 | SCALE | 2:1 | | CHECKED BY | Jim Scott | |
| | | | | | | | SHEET | | 1 of 1 | |