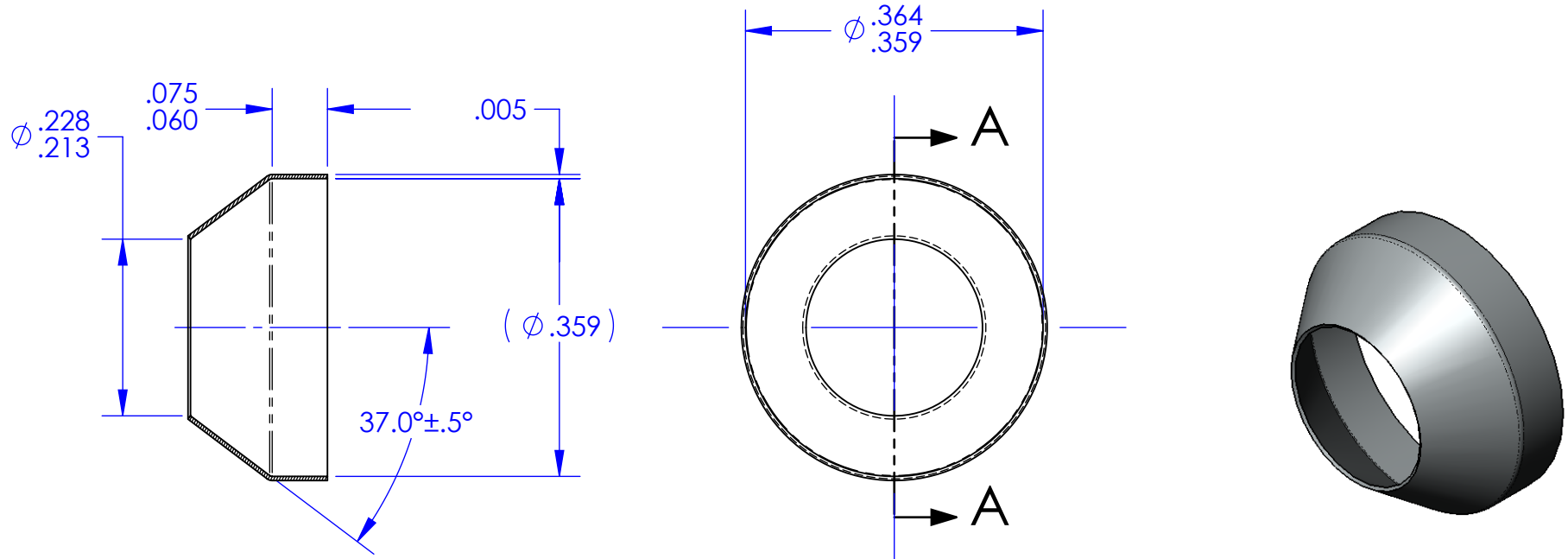


| REVISIONS | | | |
|-----------|-------------|-----------|----------|
| REV. | DESCRIPTION | DATE | APPROVED |
| G | As Released | 7/15/1998 | SECO |



SECTION A-A

NOTES: UNLESS OTHERWISE SPECIFIED

1. MATERIAL: NICKEL STRIP 201, PER ASTM B 162 OR AMS 5553.
2. FINISH: TINPLATED PER MIL-T-10727, TYPE 1 OR AMS 2408-2.
3. THESE PARTS ARE ANNEALED. DIMENSIONS "A" AND "C" SHALL BE VERIFIED BY INSTALLING THE SEAL ON A STANDARD FITTING PER MS33514 OF APPROPRIATE SIZE. AN OUT-OF ROUND CONDITION WHICH DOES NOT PREVENT SUCH INSTALLATION SHALL NOT BE A CAUSE FOR REJECTION UNLESS THE SEAL MATERIAL IS CREASED OR NICKED.
4. BREAK ALL SHARP EDGES AND REMOVE ALL BURRS.

| | | | | | | | | | |
|------------------------|------------|----------------------------------------------|----------|------------------------------------------------|-------------------------------------------------------|---------------------------------------------------------------|-----------|---------------------------------------------------|--|
| ECCN 9A991.d | | DRAWING SIZE | | SECO SEALS, INC. sales@secoseals.com | | 1370 LOGAN AVE. UNIT K COSTA MESA, CA. 92626 | | (714) 546-3478 www.secoseals.com | |
| MAT'L: | See Note 1 | FSCM: | | FILE NAME: | | REV. | | G | |
| | | | SEC07NT4 | | DESC.: | | STANDARD: | | |
| TREATMENT: | | | INCHES | | Conical Seal for 1/4" Flared Tube Fitting, 37 Degree. | | SECO 7 | | |
| Annealed after Forming | | DIMENSIONS IN INCHES 3RD ANGLE PROJECTION | | TITLE: | | DRAWN BY: | | CAGE CODE: | |
| .005 Thk. Sheet | | | | SECO 7 Seal | | Joe Littel | | 33447 | |
| | | | | DATE DRAWN | | CHECKED BY: | | SHEET | |
| | | | | 4/21/2015 | | Jim Scott | | 1 of 1 | |
| | | | | SCALE | | | | | |
| | | | | 5:1 | | | | | |