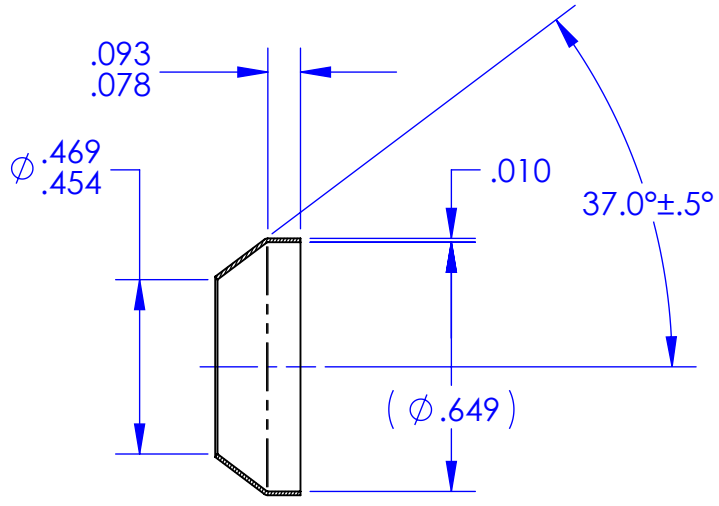
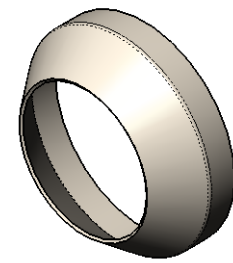
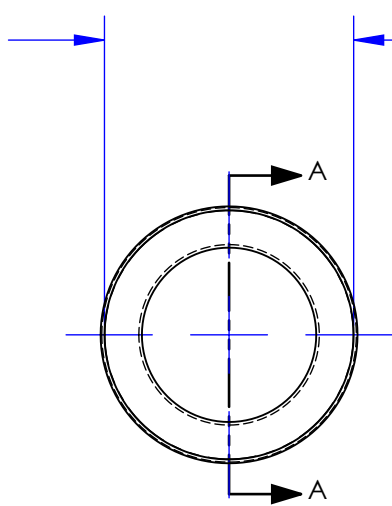


REVISIONS			
REV.	DESCRIPTION	DATE	APPROVED
G	As Released	7/15/1998	SECO



SECTION A-A



NOTES: UNLESS OTHERWISE SPECIFIED

1. MATERIAL: NICKEL STRIP 201, ANNEALED, PER ASTM B 162 OR AMS 5553
2. FINISH: NONE.
3. THESE PARTS ARE ANNEALED. DIMENSIONS "A" AND "C" SHALL BE VERIFIED BY INSTALLING THE SEAL ON A STANDARD FITTING PER MS33514 OF APPROPRIATE SIZE. AN OUT-OF ROUND CONDITION WHICH DOES NOT PREVENT SUCH INSTALLATION SHALL NOT BE A CAUSE FOR REJECTION UNLESS THE SEAL MATERIAL IS CREASED OR NICKED.
4. BREAK ALL SHARP EDGES AND REMOVE ALL BURRS.

ECCN 9A991.d		DRAWING SIZE		SECO SEALS, INC.	1370 LOGAN AVE. UNIT K	(714) 546-3478
MAT'L:	FSCM:			sales@secoseals.com	COSTA MESA, CA. 92626	www.secoseals.com
See Note 1	4730		FILE NAME:	SECO7N8		
TREATMENT:	INCHES DIMENSIONS IN INCHES 3RD ANGLE PROJECTION 	DESC.:				STANDARD:
Annealed after Forming		Conical Seal for 1/2" Flared Tube Fitting, 37 Degree.				SECO 7
MAT'L SIZE:		TITLE:		DRAWN BY:	CAGE CODE:	
.010 Thk. Sheet		SECO 7 Seal		Joe Littel	33447	
		DATE DRAWN	SCALE	CHECKED BY:	SHEET	
		4/21/2015	2:1	Jim Scott	1 of 1	