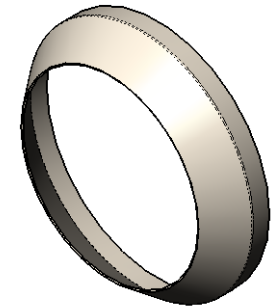
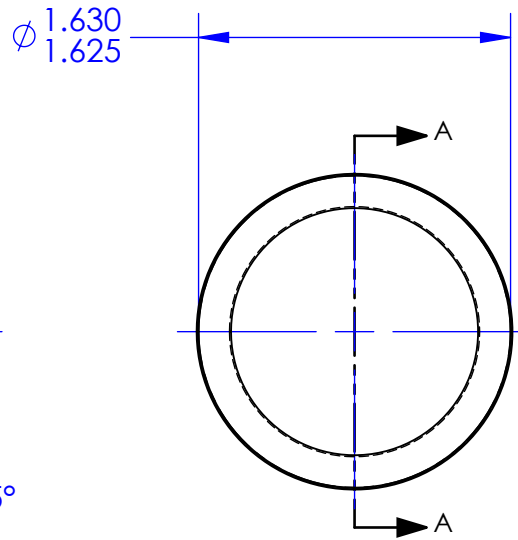
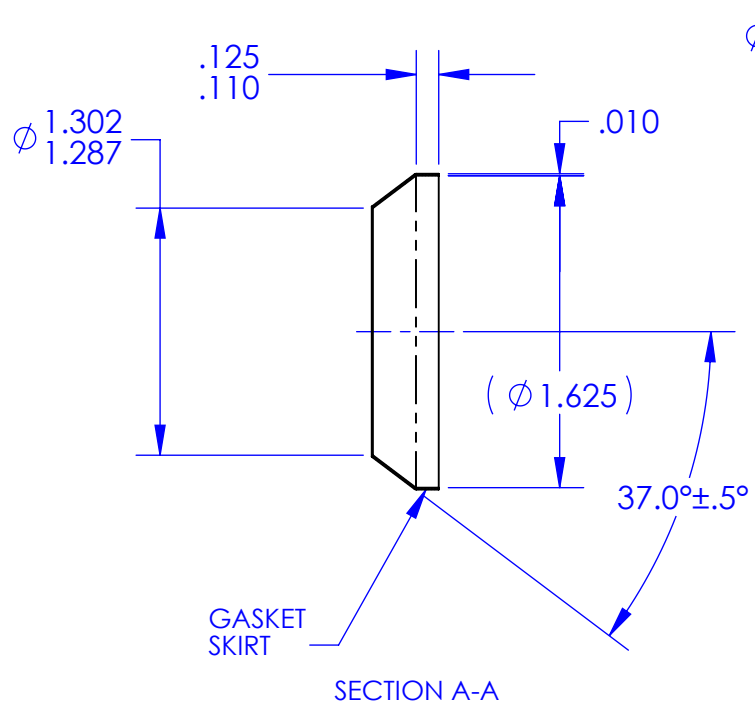


REVISIONS			
REV.	DESCRIPTION	DATE	APPROVED
G	As Released	7/15/1998	SECO



NOTES: UNLESS OTHERWISE SPECIFIED

1. MATERIAL: NI CKEL STRIP 201, ANNEALED, PER ASTM B 162 OR AMS 5553
2. FINISH: NONE.
3. THESE PARTS ARE ANNEALED. DIMENSIONS "A" AND "C" SHALL BE VERIFIED BY INSTALLING THE SEAL ON A STANDARD FITTING PER MS33514 OF APPROPRIATE SIZE. AN OUT-OF ROUND CONDITION WHICH DOES NOT PREVENT SUCH INSTALLATION SHALL NOT BE A CAUSE FOR REJECTION UNLESS THE SEAL MATERIAL IS CREASED OR NICKED.
4. BREAK ALL SHARP EDGES AND REMOVE ALL BURRS.

ECCN 9A991.d		DRAWING SIZE		SECO SEALS, INC. 1370 LOGAN AVE. UNIT K (714) 546-3478 sales@secoseals.com COSTA MESA, CA. 92626 www.secoseals.com	
MAT'L:	FSCM:	A		FILE NAME:	REV.
See Note 1	4730		SECO7N22	G	
TREATMENT:	INCHES DIMENSIONS IN INCHES 3RD ANGLE PROJECTION		DESC.:		STANDARD:
Annealed after Forming			Conical Seal for 1 3/8" Flared Tube Fitting, 37 Degree.		SECO 7
MAT'L SIZE:			TITLE:	DRAWN BY:	CAGE CODE:
.010 Thk. Sheet			SECO 7 Seal	Joe Littel	33447
			DATE DRAWN	SCALE	CHECKED BY:
			4/21/2015	1:1	Jim Scott
					SHEET
					1 of 1