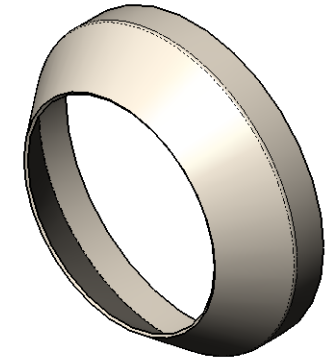
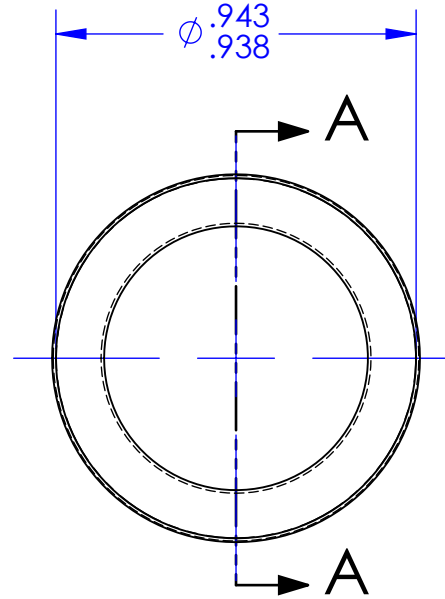
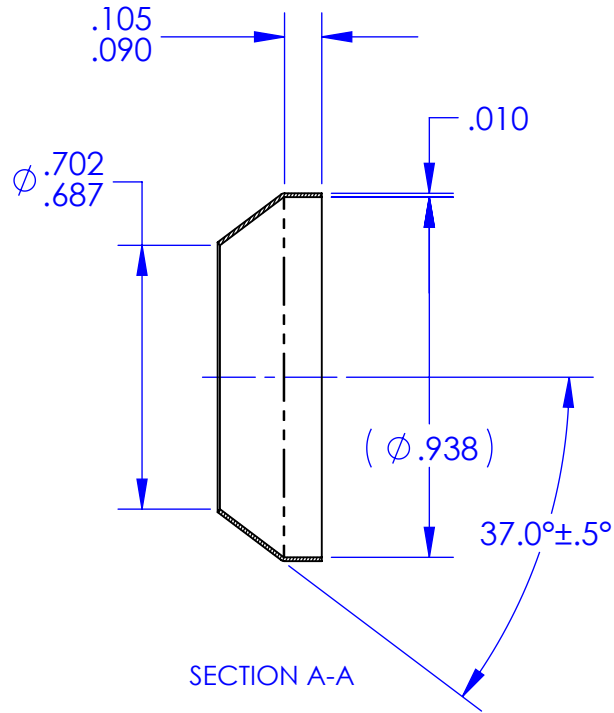


| REVISIONS | | | |
|-----------|-------------|-----------|----------|
| REV. | DESCRIPTION | DATE | APPROVED |
| G | As Released | 7/15/1998 | SECO |



NOTES: UNLESS OTHERWISE SPECIFIED

1. MATERIAL: NICKEL STRIP 201, ANNEALED, PER ASTM B 162 OR AMS 5553
2. FINISH: NONE.
3. THESE PARTS ARE ANNEALED. DIMENSIONS "A" AND "C" SHALL BE VERIFIED BY INSTALLING THE SEAL ON A STANDARD FITTING PER MS33514 OF APPROPRIATE SIZE. AN OUT-OF ROUND CONDITION WHICH DOES NOT PREVENT SUCH INSTALLATION SHALL NOT BE A CAUSE FOR REJECTION UNLESS THE SEAL MATERIAL IS CREASED OR NICKED.
4. BREAK ALL SHARP EDGES AND REMOVE ALL BURRS.

| | | | | | | |
|------------------------|--|---|--|-----------------------|------------------------|-------------------|
| ECCN 9A991.d | | DRAWING SIZE |  | SECO SEALS, INC. | 1370 LOGAN AVE. UNIT K | (714) 546-3478 |
| MAT'L: | FSCM: |  | | sales@secoseals.com | COSTA MESA, CA. 92626 | www.secoseals.com |
| See Note 1 | 4730 | | FILE NAME: | SECO7N12 | | |
| TREATMENT: | INCHES DIMENSIONS IN INCHES 3RD ANGLE PROJECTION  | DESC.: Conical Seal for 3/4" Flared Tube Fitting, 37 Degree. | | | | STANDARD: SECO 7 |
| Annealed after Forming | | TITLE: SECO 7 Seal | | | DRAWN BY: Joe Littel | CAGE CODE: 33447 |
| MAT'L SIZE: | .010 Thk. Sheet | DATE DRAWN: 4/21/2015 | SCALE: 2:1 | CHECKED BY: Jim Scott | SHEET 1 of 1 | |