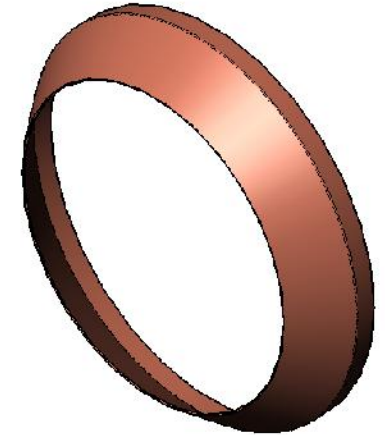
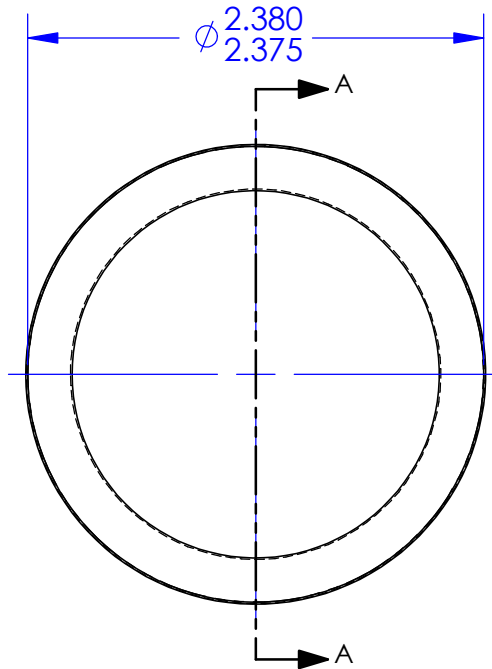
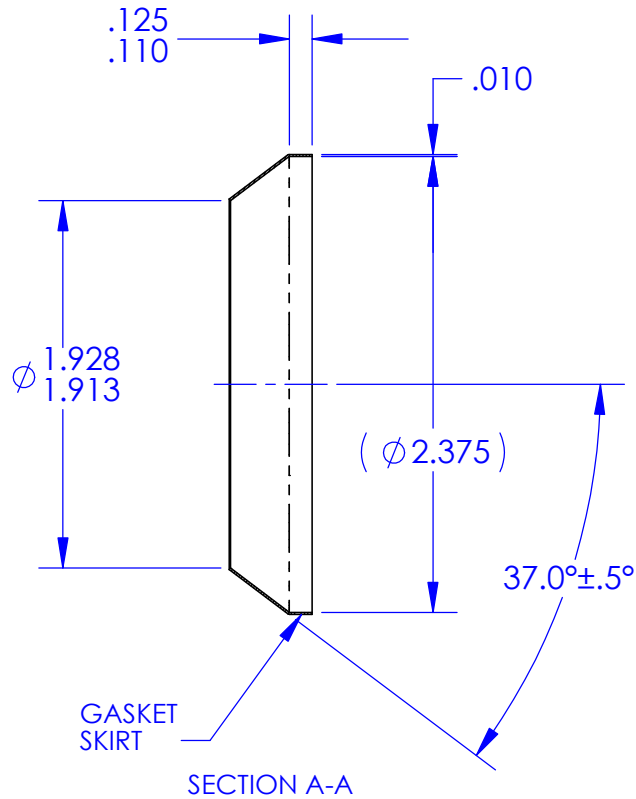



REVISIONS			
REV.	DESCRIPTION	DATE	APPROVED
G	As Released	7/15/1998	SECO



NOTES: UNLESS OTHERWISE SPECIFIED

1. MATERIAL: COPPER STRIP, ANNEALED, TYPE C10100, C10200 OR C11000
CHEMICAL COMPOSITION PER ASTM B 152, MECHANICAL PROPERTIES PER ASTM B 451.
2. FINISH: TINPLATED PER MIL-T-10727, TYPE 1 OR AMS 2408-2.
3. THESE PARTS ARE ANNEALED. DIMENSIONS "A" AND "C" SHALL BE VERIFIED BY INSTALLING THE SEAL ON A STANDARD FITTING PER MS33514 OF APPROPRIATE SIZE. AN OUT-OF ROUND CONDITION WHICH DOES NOT PREVENT SUCH INSTALLATION SHALL NOT BE A CAUSE FOR REJECTION UNLESS THE SEAL MATERIAL IS CREASED OR NICKED.
4. BREAK ALL SHARP EDGES AND REMOVE ALL BURRS.

ECCN 9A991.d		DRAWING SIZE		SECO SEALS, INC.	1370 LOGAN AVE. UNIT K	(714) 546-3478
MAT'L:	FSCM:			sales@secoseals.com	COSTA MESA, CA. 92626	www.secoseals.com
See Note 1	4730		FILE NAME:	SECO7CT32		
TREATMENT:	INCHES DIMENSIONS IN INCHES 3RD ANGLE PROJECTION 	DESC.:				STANDARD:
Annealed after Forming		Conical Seal for 2" Flared Tube Fitting, 37 Degree.				SECO 7
MAT'L SIZE:		TITLE:		DRAWN BY:	CAGE CODE:	
.010 Thk. Sheet		SECO 7 Seal		Joe Littell	33447	
		DATE DRAWN:	SCALE:	CHECKED BY:	SHEET	
		4/16/2015	1:1	Jim Scott	1 of 1	