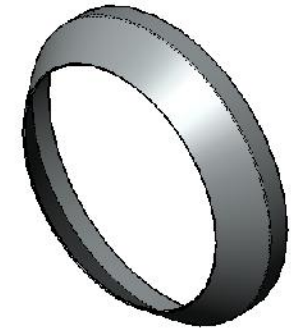
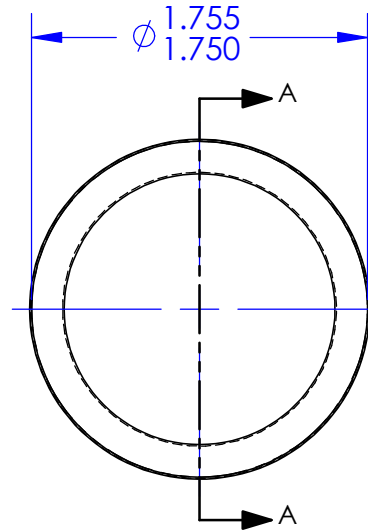
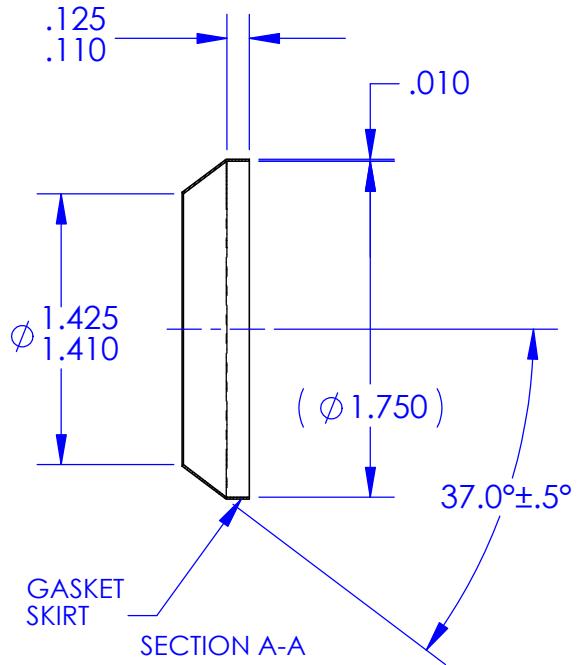


REVISIONS			
REV.	DESCRIPTION	DATE	APPROVED
G	As Released	7/15/1998	SECO



NOTES: UNLESS OTHERWISE SPECIFIED

1. MATERIAL: COPPER STRIP, ANNEALED, TYPE C10100, C10200 OR C11000
CHEMICAL COMPOSITION PER ASTM B 152, MECHANICAL PROPERTIES PER ASTM B 451.
2. FINISH: TINPLATED PER MIL-T-10727, TYPE 1 OR AMS 2408-2.
3. THESE PARTS ARE ANNEALED. DIMENSIONS "A" AND "C" SHALL BE VERIFIED BY INSTALLING THE SEAL ON A STANDARD FITTING PER MS3351 4 OF APPROPRIATE SIZE. AN OUT-OF ROUND CONDITION WHICH DOES NOT PREVENT SUCH INSTALLATION SHALL NOT BE A CAUSE FOR REJECTION UNLESS THE SEAL MATERIAL IS CREASED OR NICKED.
4. BREAK ALL SHARP EDGES AND REMOVE ALL BURRS.

ECCN 9A991.d		DRAWING SIZE	SECO SEALS, INC. 1370 LOGAN AVE. UNIT K (714) 546-3478 sales@secoseals.com COSTA MESA, CA. 92626 www.secoseals.com		
MAT'L:	FSCM:	A		FILE NAME:	REV.
See Note 1	4730			SECO7CT24	G
TREATMENT:	INCHES DIMENSIONS IN INCHES 3RD ANGLE PROJECTION	DESC.:		STANDARD:	
Annealed after Forming		Conical Seal for 1 1/2" Flared Tube Fitting, 37 Degree.		SECO 7	
MAT'L SIZE:		TITLE:	DRAWN BY:	CAGE CODE:	
.010 Thk. Sheet		SECO 7 Seal	Joe Littel	33447	
		DATE DRAWN:	SCALE:	CHECKED BY:	SHEET
		4/16/2015	1:1	Jim Scott	1 OF 1