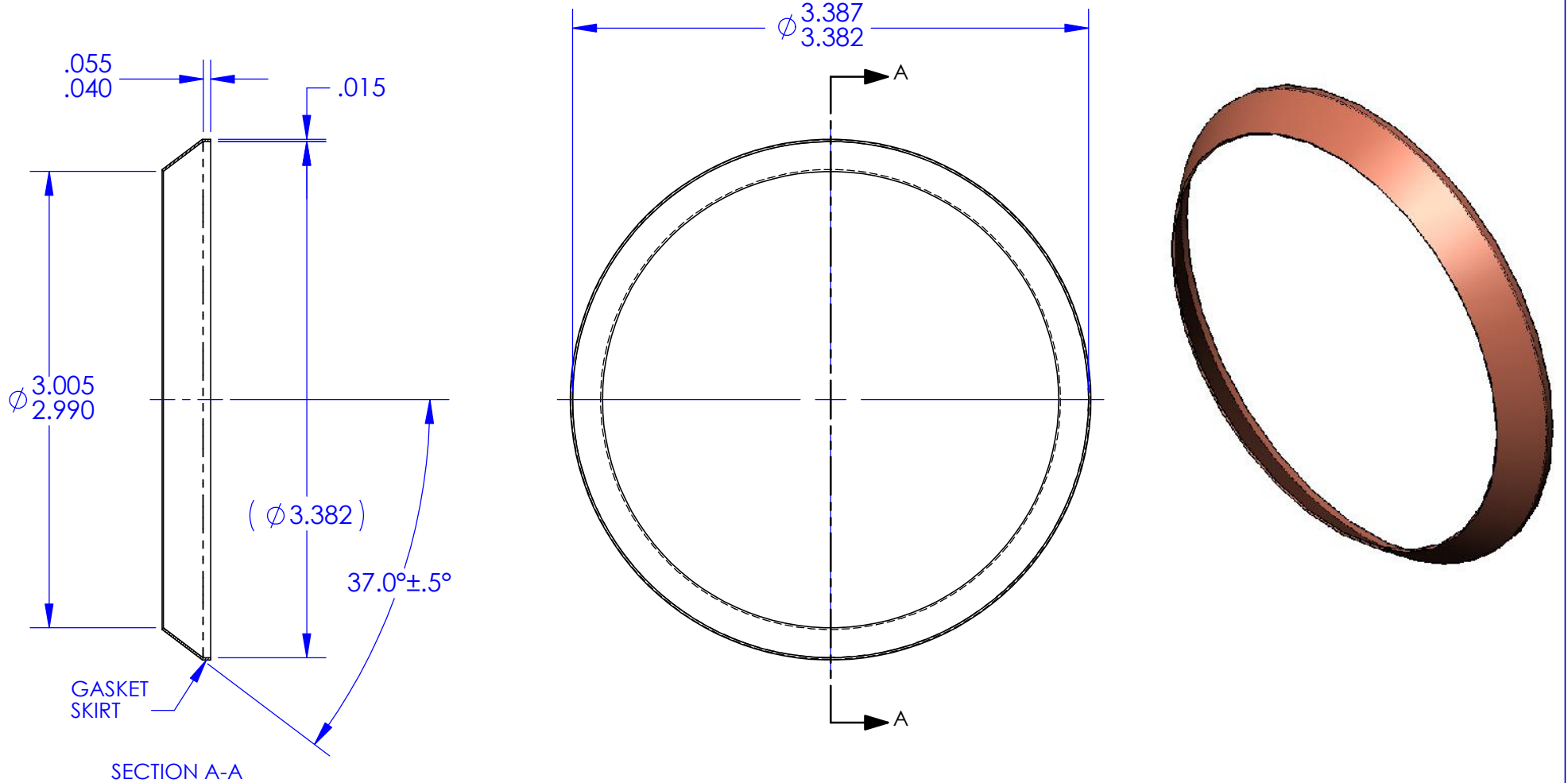


NOTES: UNLESS OTHERWISE SPECIFIED

1. MATERIAL: COPPER STRIP, ANNEALED, TYPE C10100, C10200 OR C11000
CHEMICAL COMPOSITION PER ASTM B 152, MECHANICAL PROPERTIES PER ASTM B 451.
2. FINISH: NONE.
3. THESE PARTS ARE ANNEALED. DIMENSIONS "A" AND "C" SHALL BE VERIFIED BY INSTALLING THE SEAL ON A STANDARD FITTING PER MS33514 OF APPROPRIATE SIZE. AN OUT-OF-ROUND CONDITION WHICH DOES NOT PREVENT SUCH INSTALLATION SHALL NOT BE A CAUSE FOR REJECTION UNLESS THE SEAL MATERIAL IS CREASED OR NICKED.
4. BREAK ALL SHARP EDGES AND REMOVE ALL BURRS.

| REVISIONS | | | |
|-----------|-------------|-----------|----------|
| REV. | DESCRIPTION | DATE | APPROVED |
| G | As Released | 7/15/1998 | SECO |



SECTION A-A

| | | | | |
|-----------------------------------|--|--------------|---|----------------------|
| ECCN 9A991.d | | DRAWING SIZE | SECO SEALS, INC. 1370 LOGAN AVE. UNIT K (714) 546-3478 sales@secoseals.com COSTA MESA, CA. 92626 www.secoseals.com | |
| MAT'L: See Note 1 | FSCM: 4730 | A | FILE NAME: SECO7C48 | REV. G |
| TREATMENT: Annealed after Forming | INCHES DIMENSIONS IN INCHES 3RD ANGLE PROJECTION | | DESC.: Conical Seal for 3" Flared Tube Fitting, 37 Degree. | |
| MAT'L SIZE: .015 Thk. Sheet | | | TITLE: SECO 7 Seal | DRAWN BY: Joe Littel |
| | | | DATE DRAWN: 4/16/2015 | SCALE: 1:1 |
| | | | CHECKED BY: Jim Scott | CAGE CODE: 33447 |
| | | | | SHEET 1 OF 1 |