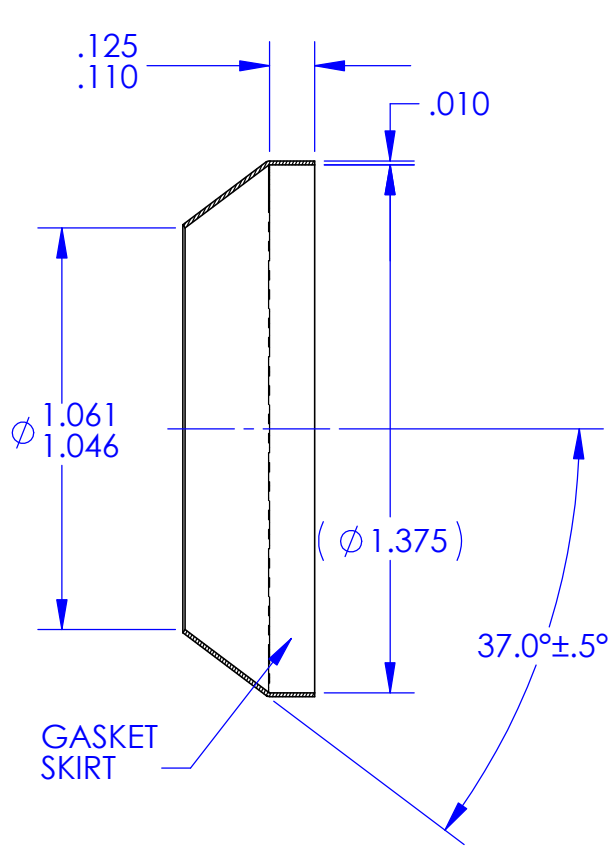
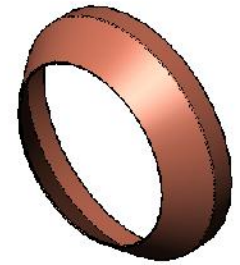
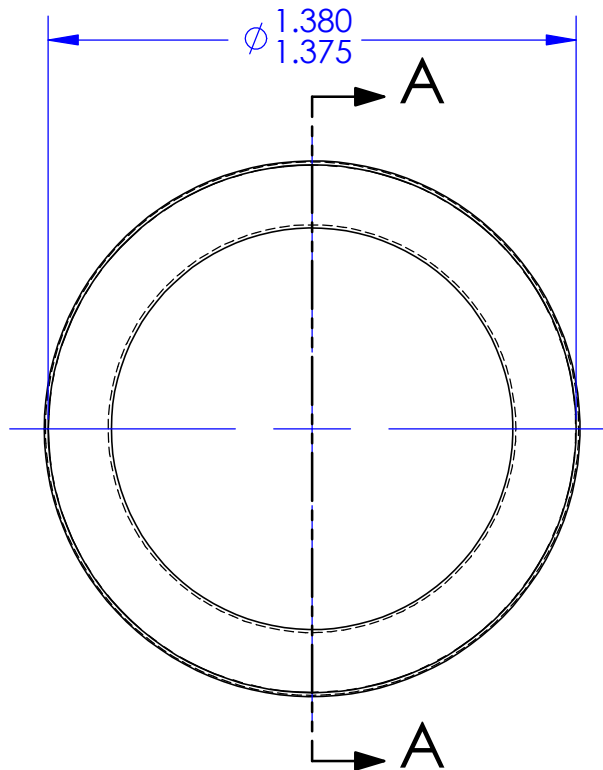


REVISIONS			
REV.	DESCRIPTION	DATE	APPROVED
G	As Released	7/15/1998	SECO



SECTION A-A



ACTUAL SIZE

NOTES: UNLESS OTHERWISE SPECIFIED

1. MATERIAL: COPPER STRIP, ANNEALED, TYPE C10100, C10200 OR C11000
CHEMICAL COMPOSITION PER ASTM B 152, MECHANICAL PROPERTIES PER ASTM B 451.
2. FINISH: NONE.
3. THESE PARTS ARE ANNEALED. DIMENSIONS "A" AND "C" SHALL BE VERIFIED BY INSTALLING THE SEAL ON A STANDARD FITTING PER MS3351 4 OF APPROPRIATE SIZE. AN OUT-OF ROUND CONDITION WHICH DOES NOT PREVENT SUCH INSTALLATION SHALL NOT BE A CAUSE FOR REJECTION UNLESS THE SEAL MATERIAL IS CREASED OR NICKED.
4. BREAK ALL SHARP EDGES AND REMOVE ALL BURRS.

ECCN 9A991.d		DRAWING SIZE	SECO SEALS, INC. 1370 LOGAN AVE. UNIT K (714) 546-3478 sales@secoseals.com COSTA MESA, CA. 92626 www.secoseals.com	
MAT'L: See Note 1	FSCM: 4730	A	FILE NAME: SECO7C18	REV. G
TREATMENT: Annealed after Forming	INCHES DIMENSIONS IN INCHES 3RD ANGLE PROJECTION 	DESC.: Conical Seal for 1 1/8" Flared Tube Fitting, 37 Degree.		STANDARD: SECO 7
MAT'L SIZE: .010 Thk. Sheet		TITLE: SECO 7 Seal	DRAWN BY: Joe Littel	CAGE CODE: 33447
DATE DRAWN 4/16/2015		SCALE 2:1	CHECKED BY: Jim Scott	SHEET 1 OF 1