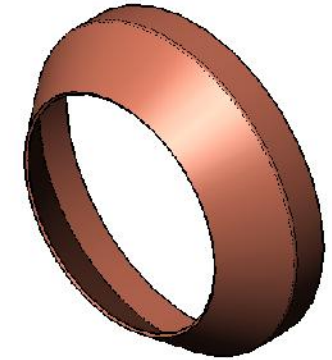
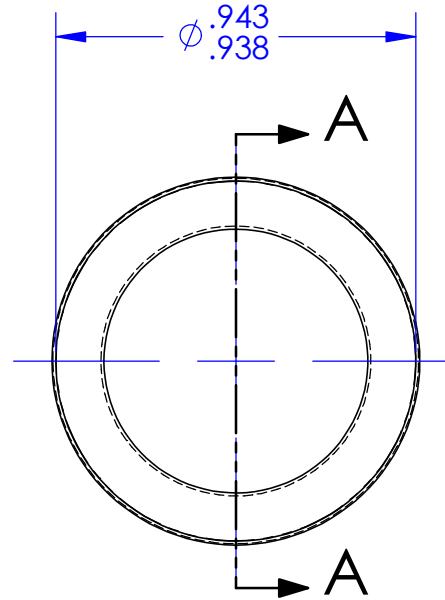
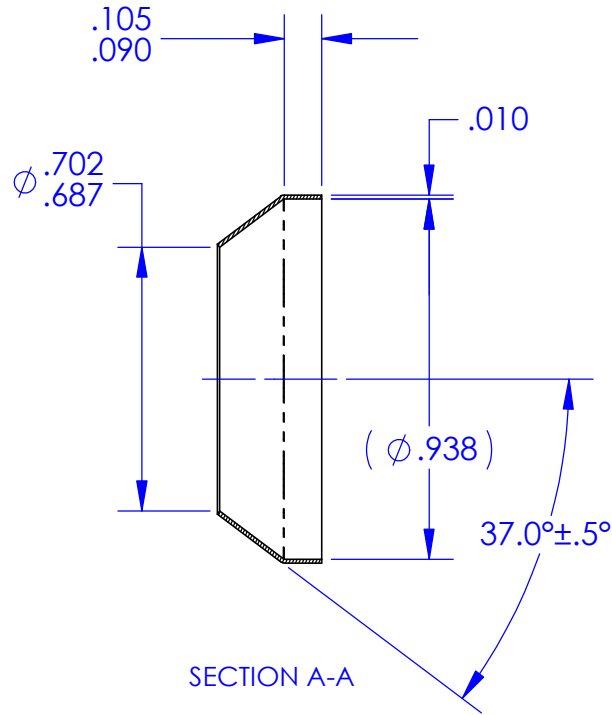


REVISIONS			
REV.	DESCRIPTION	DATE	APPROVED
G	As Released	7/15/1998	SECO



NOTES: UNLESS OTHERWISE SPECIFIED

1. MATERIAL: COPPER STRIP, ANNEALED, TYPE C10100, C10200 OR C11000
CHEMICAL COMPOSITION PER ASTM B 152, MECHANICAL PROPERTIES PER ASTM B 451.
2. FINISH: NONE.
3. THESE PARTS ARE ANNEALED. DIMENSIONS "A" AND "C" SHALL BE VERIFIED BY INSTALLING THE SEAL ON A STANDARD FITTING PER MS33514 OF APPROPRIATE SIZE. AN OUT-OF ROUND CONDITION WHICH DOES NOT PREVENT SUCH INSTALLATION SHALL NOT BE A CAUSE FOR REJECTION UNLESS THE SEAL MATERIAL IS CREASED OR NICKED.
4. BREAK ALL SHARP EDGES AND REMOVE ALL BURRS.

ECCN 9A991.d		DRAWING SIZE		SECO SEALS, INC.	1370 LOGAN AVE. UNIT K	(714) 546-3478	
MATL: See Note 1	FSCM: 4730	A		sales@secoseals.com	COSTA MESA, CA. 92626	www.secoseals.com	
TREATMENT: Annealed after Forming		INCHES DIMENSIONS IN INCHES 3RD ANGLE PROJECTION 	DESC.: Conical Seal for 3/4" Flared Tube Fitting, 37 Degree.			STANDARD: SECO 7	
MAT'L SIZE: .010 Thk. Sheet			TITLE: SECO 7 Seal			DRAWN BY: Joe Littel	
		DATE DRAWN 4/16/2015	SCALE 2:1	CHECKED BY Jim Scott		CAGE CODE: 33447	
				SHEET 1 of 1		REV. G	
				FILE NAME: SECO7C12			