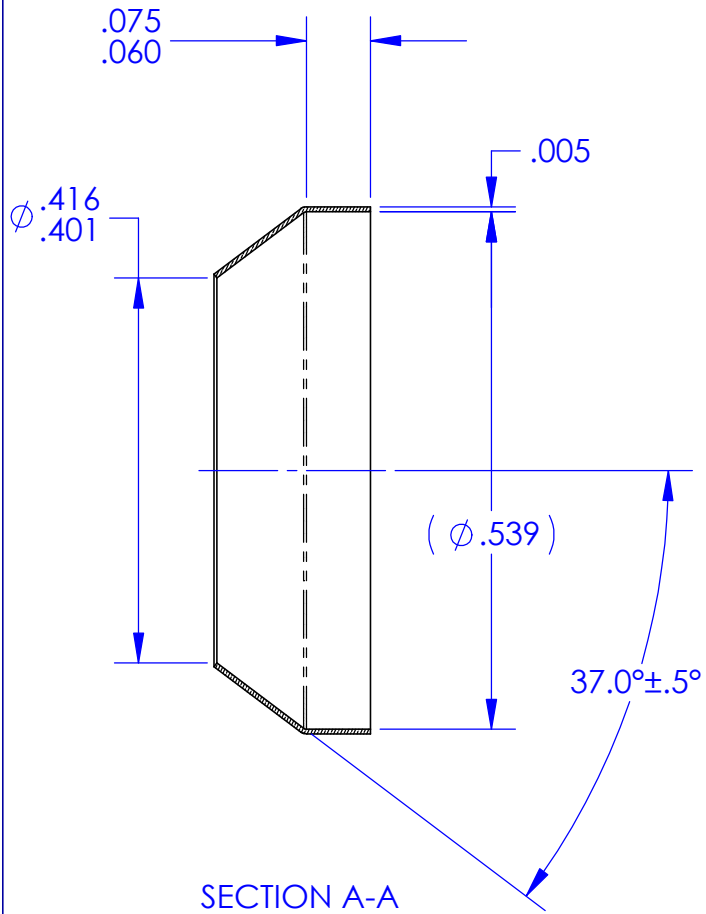
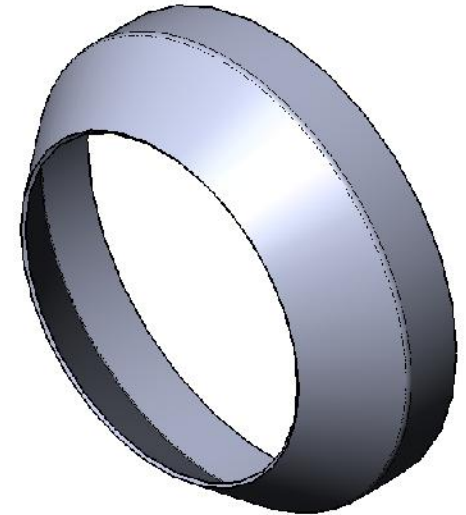
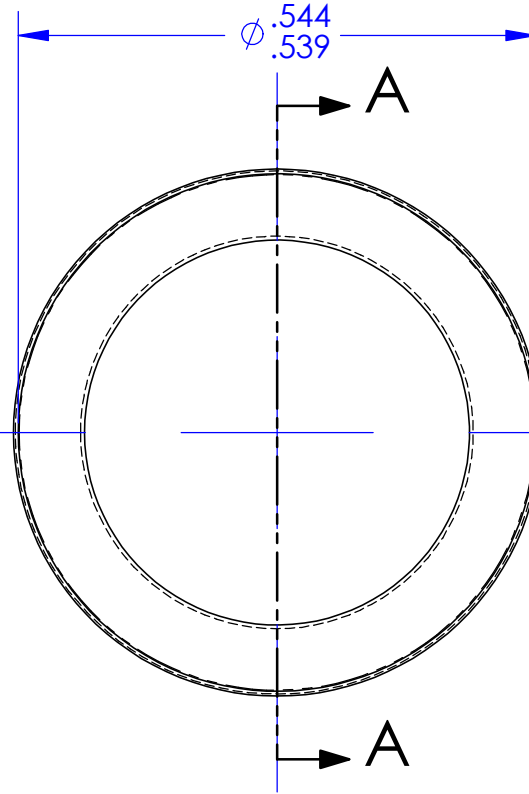


REVISIONS			
REV.	DESCRIPTION	DATE	APPROVED
G	As Released	7/15/1998	SECO



SECTION A-A



NOTES: UNLESS OTHERWISE SPECIFIED

1. MATERIAL: ALUMINUM ALLOY 1100 SHEET, CONDITION "0" PER QQ-A-250/1, QQ-A-1876 OR AMS 4001.
2. FINISH: NONE.
3. THESE PARTS ARE ANNEALED. DIMENSIONS "A" AND "C" SHALL BE VERIFIED BY INSTALLING THE SEAL ON A STANDARD FITTING PER MS33514 OF APPROPRIATE SIZE. AN OUT-OF-ROUND CONDITION WHICH DOES NOT PREVENT SUCH INSTALLATION SHALL NOT BE A CAUSE FOR REJECTION UNLESS THE SEAL MATERIAL IS CREASED OR NICKED.
4. BREAK ALL SHARP EDGES AND REMOVE ALL BURRS.

ECCN 9A991.d		DRAWING SIZE		SECO SEALS, INC. sales@secoseals.com		1370 LOGAN AVE. UNIT K COSTA MESA, CA. 92626		(714) 546-3478 www.secoseals.com	
MAT'L:	FSCM:			FILE NAME:	REV.				
See Note 1	4730		SECO7A7	G					
TREATMENT:	INCHES DIMENSIONS IN INCHES 3RD ANGLE PROJECTION 	DESC.:						STANDARD:	
Annealed after Forming		Conical Seal for 7/16" Flared Tube Fitting, 37 Degree.						SECO 7	
MAT'L SIZE:	TITLE:			DRAWN BY:		CAGE CODE:			
.005 Thk. Sheet	SECO 7 Seal			Joe Littell		33447			
DATE DRAWN		SCALE		CHECKED BY:		SHEET			
4/8/2015		5:1		Jim Scott		1 of 1			