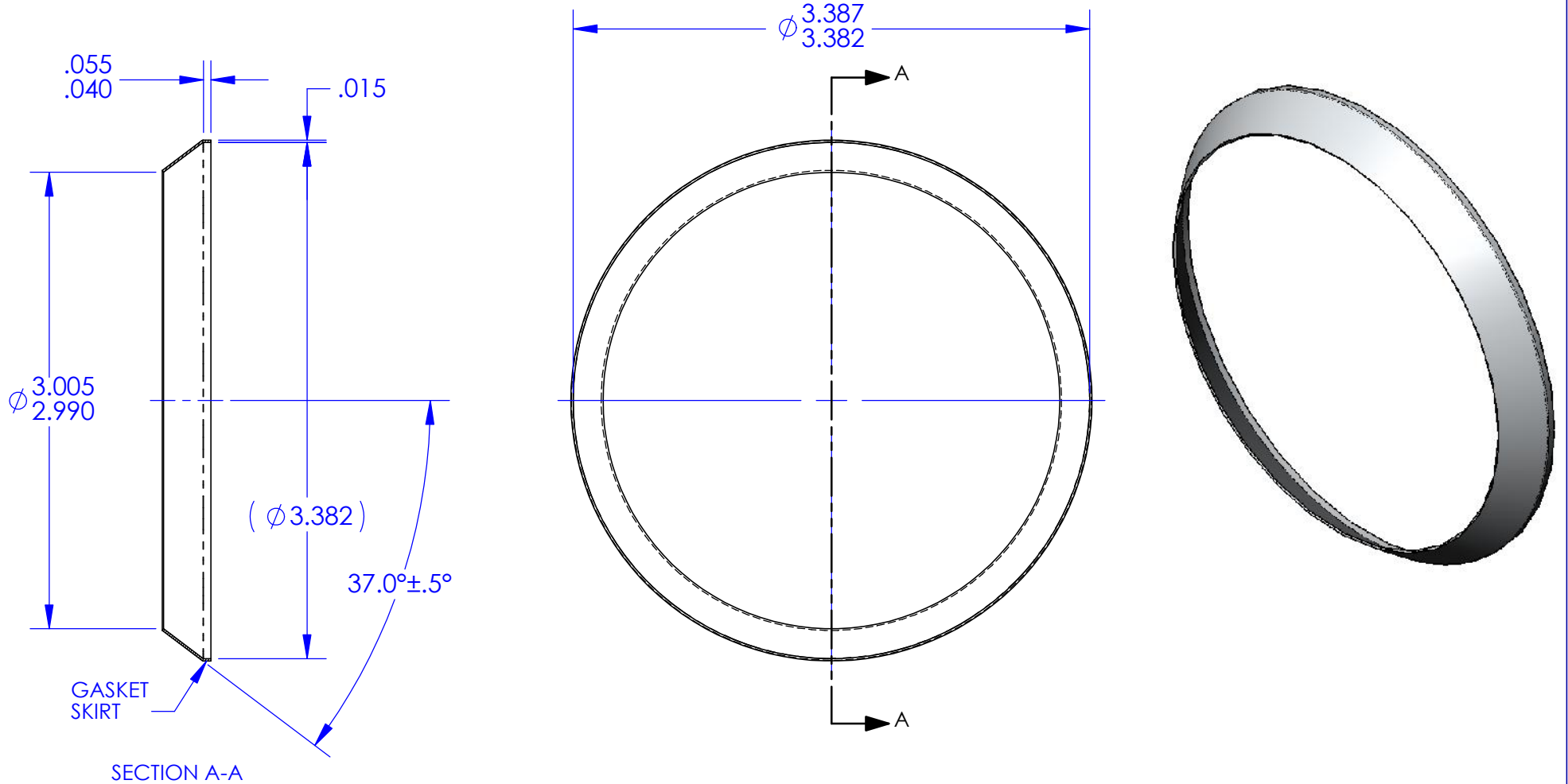


NOTES: UNLESS OTHERWISE SPECIFIED

1. MATERIAL: ALUMINUM ALLOY 1100 SHEET, CONDITION "O" PER QQ-A-250/1, QQ-A-1876 OR AMS 4001.
2. FINISH: NONE.
3. THESE PARTS ARE ANNEALED. DIMENSIONS "A" AND "C" SHALL BE VERIFIED BY INSTALLING THE SEAL ON A STANDARD FITTING PER MS33514 OF APPROPRIATE SIZE. AN OUT-OF ROUND CONDITION WHICH DOES NOT PREVENT SUCH INSTALLATION SHALL NOT BE A CAUSE FOR REJECTION UNLESS THE SEAL MATERIAL IS CREASED OR NICKED.
4. BREAK ALL SHARP EDGES AND REMOVE ALL BURRS.

| REVISIONS | | | |
|-----------|-------------|-----------|----------|
| REV. | DESCRIPTION | DATE | APPROVED |
| G | As Released | 7/15/1998 | SECO |



SECTION A-A

| | | | | | | |
|------------------------|--|--------------|---|---------------------|------------------------|-------------------|
| ECCN 9A991.d | | DRAWING SIZE | | SECO SEALS, INC. | 1370 LOGAN AVE. UNIT K | (714) 546-3478 |
| MAT'L: | FSCM: | | | sales@secoseals.com | COSTA MESA, CA. 92626 | www.secoseals.com |
| See Note 1 | | | 4730 | FILE NAME: | SECO7A48 | |
| TREATMENT: | INCHES | | DESC.: | | | STANDARD: |
| Annealed after Forming | DIMENSIONS IN INCHES 3RD ANGLE PROJECTION | | Conical Seal for 3" Flared Tube Fitting, 37 Degree. | | | SECO 7 |
| MAT'L SIZE: | | | TITLE: | DRAWN BY: | CAGE CODE: | |
| .015 Thk. Sheet | | | SECO 7 Seal | Joe Littel | 33447 | |
| | | DATE DRAWN | SCALE | CHECKED BY: | SHEET | |
| | | 4/8/2015 | 1:1 | Jim Scott | 1 of 1 | |