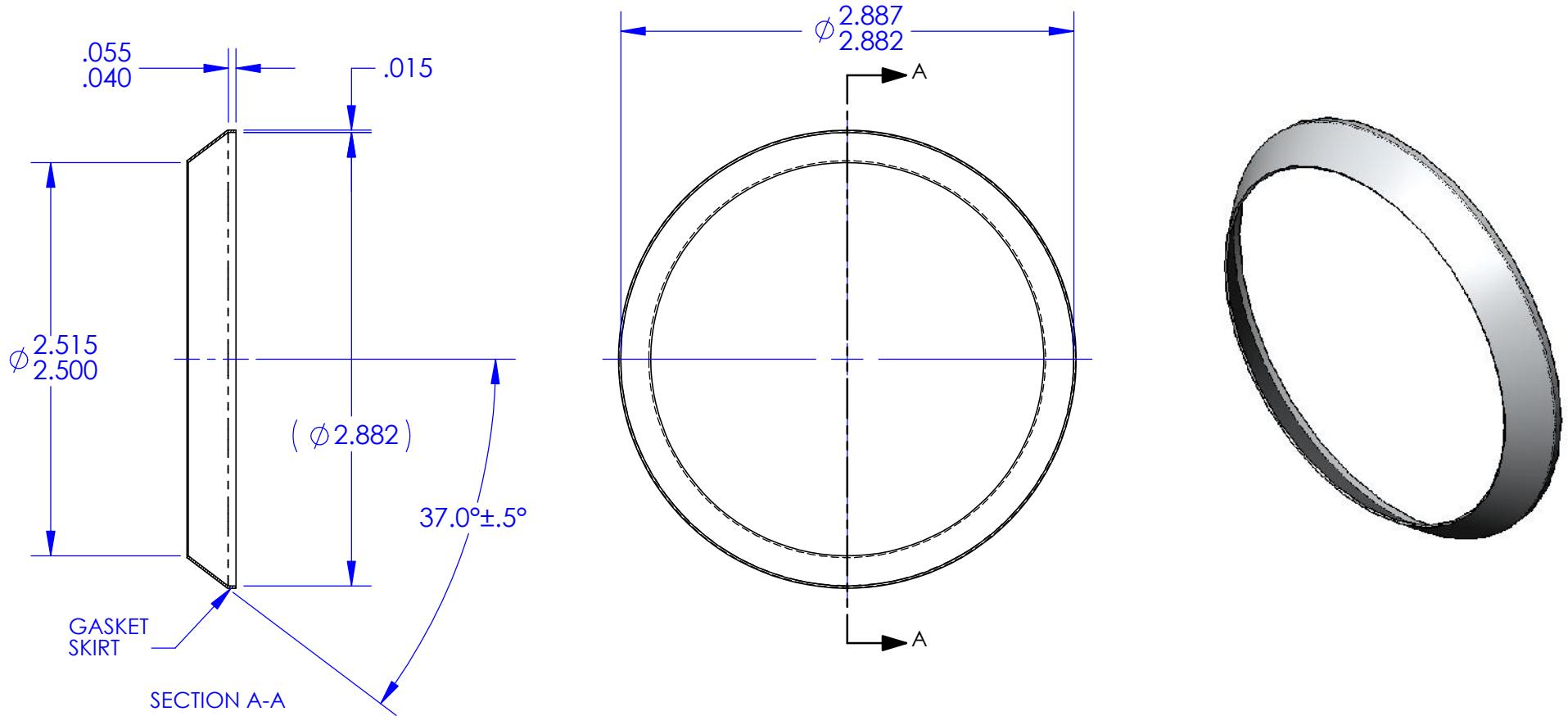


NOTES: UNLESS OTHERWISE SPECIFIED

1. MATERIAL: ALUMINUM ALLOY 1100 SHEET, CONDITION "O" PER QQ-A-250/1, QQ-A-1876 OR AMS 4001.
2. FINISH: NONE.
3. THESE PARTS ARE ANNEALED. DIMENSIONS "A" AND "C" SHALL BE VERIFIED BY INSTALLING THE SEAL ON A STANDARD FITTING PER MS33514 OF APPROPRIATE SIZE. AN OUT-OF-ROUND CONDITION WHICH DOES NOT PREVENT SUCH INSTALLATION SHALL NOT BE A CAUSE FOR REJECTION UNLESS THE SEAL MATERIAL IS CREASED OR NICKED.
4. BREAK ALL SHARP EDGES AND REMOVE ALL BURRS.

| REVISIONS | | | |
|-----------|-------------|-----------|----------|
| REV. | DESCRIPTION | DATE | APPROVED |
| G | As Released | 7/15/1998 | SECO |



| | | | | | | |
|---|--|--------------|---|------------------------|---|-------------------------------------|
| ECCN 9A991.d | | DRAWING SIZE | SECO SEALS, INC. sales@secoseals.com | | 1370 LOGAN AVE. UNIT K COSTA MESA, CA. 92626 | (714) 546-3478 www.secoseals.com |
| MAT'L: See Note 1 | FSCM: 4730 | A | | FILE NAME: SECO7A40 | REV. G | |
| TREATMENT: Annealed after Forming | INCHES DIMENSIONS IN INCHES 3RD ANGLE PROJECTION | | DESC.: Conical Seal for 2 1/2" Flared Tube Fitting, 37 Degree. | | | STANDARD: SECO 7 |
| MAT'L SIZE: .015 Thk. Sheet | | | TITLE: SECO 7 Seal | DRAWN BY Joe Littel | CAGE CODE: 33447 | |
| | | | DATE DRAWN 4/8/2015 | SCALE 1:1 | CHECKED BY Jim Scott | SHEET 1 of 1 |