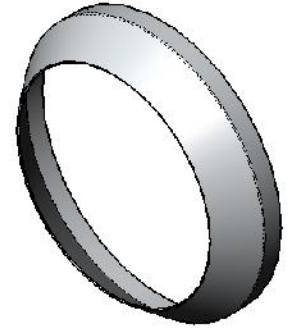
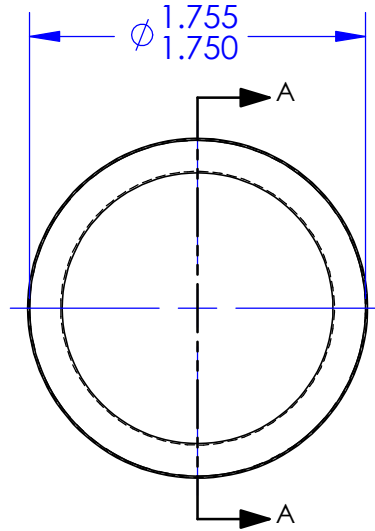
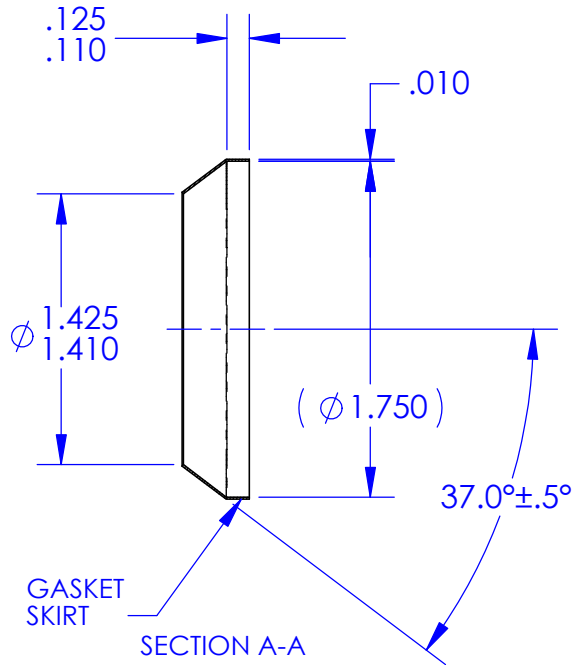


| REVISIONS |             |           |          |
|-----------|-------------|-----------|----------|
| REV.      | DESCRIPTION | DATE      | APPROVED |
| G         | As Released | 7/15/1998 | SECO     |



**NOTES: UNLESS OTHERWISE SPECIFIED**

1. MATERIAL: ALUMINUM ALLOY 1100 SHEET, CONDITION "0" PER QQ-A-250/1, QQ-A-1876 OR AMS 4001.
2. FINISH: NONE.
3. THESE PARTS ARE ANNEALED. DIMENSIONS "A" AND "C" SHALL BE VERIFIED BY INSTALLING THE SEAL ON A STANDARD FITTING PER MS33514 OF APPROPRIATE SIZE. AN OUT-OF ROUND CONDITION WHICH DOES NOT PREVENT SUCH INSTALLATION SHALL NOT BE A CAUSE FOR REJECTION UNLESS THE SEAL MATERIAL IS CREASED OR NICKED.
4. BREAK ALL SHARP EDGES AND REMOVE ALL BURRS.

|              |                        |  |  |   |            |   |  |  |   |
|--------------|------------------------|--|--|---|------------|---|--|--|---|
| ECCN 9A991.d |                        | DRAWING SIZE   |  | <b>SECO SEALS, INC.</b><br>sales@secoseals.com          |            | <b>1370 LOGAN AVE. UNIT K</b><br><b>COSTA MESA, CA. 92626</b> |  | <b>(714) 546-3478</b><br>www.secoseals.com |   |
| MAT'L:       | See Note 1             | FSCM:  |  | 4730  | FILE NAME: | SECO7A24  |  | REV.                                       | G |
| TREATMENT:   | Annealed after Forming | INCHES<br>DIMENSIONS IN INCHES<br>3RD ANGLE PROJECTION<br> |  | DESC.:  |            |   |  | STANDARD:                                  |   |
| MAT'L SIZE:  | .010 Thk. Sheet        |  |  | Conical Seal for 1 1/2" Flared Tube Fitting, 37 Degree. |            |   |  | SECO 7                                     |   |
|              |                        |  |  | TITLE:  |            | DRAWN BY:   |  | CAGE CODE:                                 |   |
|              |                        |  |  | SECO 7 Seal   |            | Joe Littel  |  | 33447                                      |   |
|              |                        |  |  | DATE DRAWN:   |            | SCALE:  |  | CHECKED BY:                                |   |
|              |                        |  |  | 4/8/2015  |            | 1:1   |  | Jim Scott                                  |   |
|              |                        |  |  |   |            |   |  | SHEET                                      |   |
|              |                        |  |  |   |            |   |  | 1 of 1                                     |   |