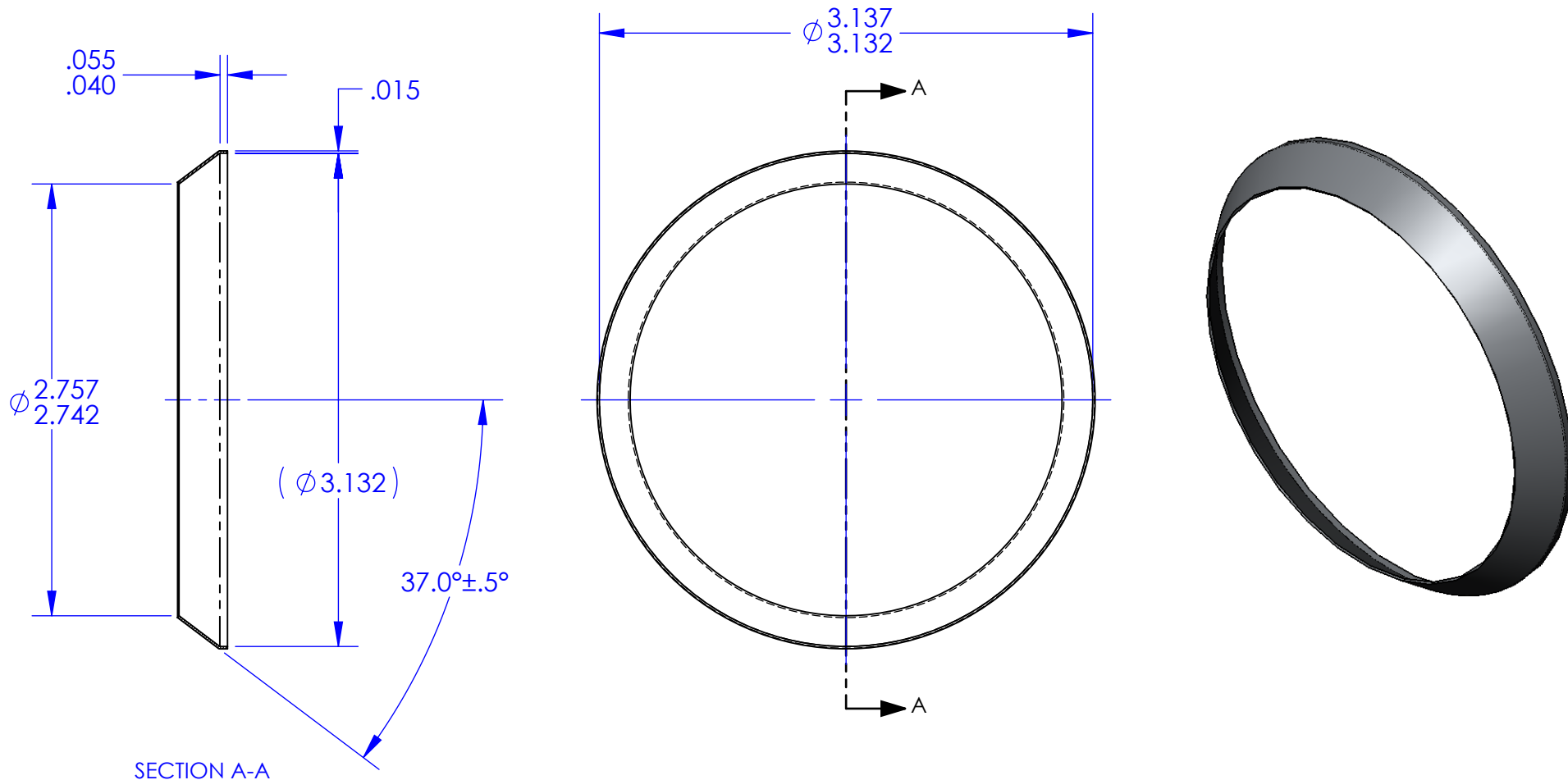


NOTES: UNLESS OTHERWISE SPECIFIED

1. MATERIAL: NICKEL STRIP 201, PER ASTM B 162 OR AMS 5553.
2. FINISH: SILVER PLATED PER AMS 2410.
3. THESE PARTS ARE ANNEALED. DIMENSIONS "A" AND "C" SHALL BE VERIFIED BY INSTALLING THE SEAL ON A STANDARD FITTING PER MS33514 OF APPROPRIATE SIZE. AN OUT-OF ROUND CONDITION WHICH DOES NOT PREVENT SUCH INSTALLATION SHALL NOT BE A CAUSE FOR REJECTION UNLESS THE SEAL MATERIAL IS CREASED OR NICKED.
4. BREAK ALL SHARP EDGES AND REMOVE ALL BURRS.

REVISIONS

REV.	DESCRIPTION	DATE	APPROVED
G	As Released	7/15/1998	SECO



ECCN 9A991.d		DRAWING SIZE	SECO SEALS, INC.		1370 LOGAN AVE. UNIT K	(714) 546-3478
		A	PO BOX 1461		COSTA MESA, CA. 92626	www.secoseals.com
MAT'L:	FSCM:		FILE NAME:		REV.	
See Note 1	4730	SECO SEALS		SECO7NS44	G	
TREATMENT:	INCHES DIMENSIONS IN INCHES 3RD ANGLE PROJECTION	DESC.:			STANDARD:	
Annealed after Forming		Conical Seal for 2 3/4" Flared Tube Fitting, 37 Degree.			SECO 7	
MAT'L SIZE:		TITLE:		DRAWN BY	CAGE CODE:	
.015 Thk. Sheet		SECO 7 Seal		Joe Littel	33447	
		DATE DRAWN	SCALE	CHECKED BY	SHEET	
		4/21/2015	1:1	Jim Scott	1 of 1	