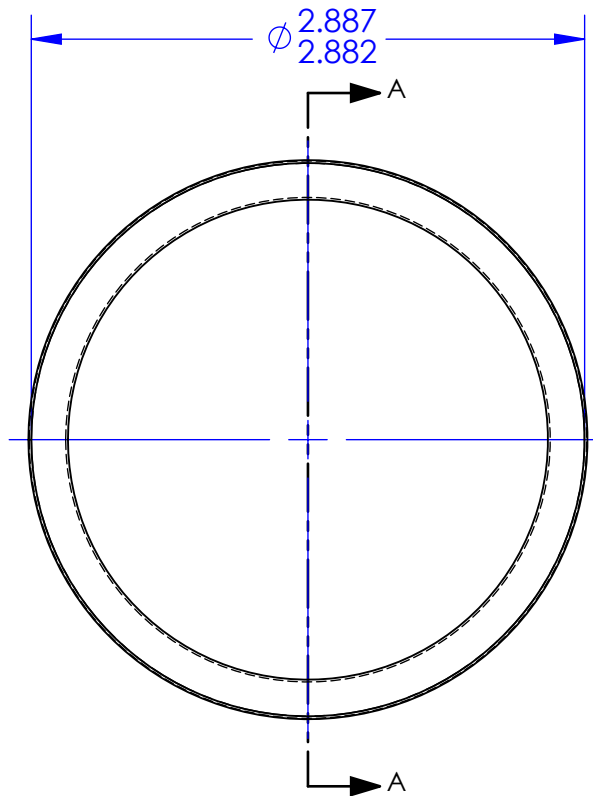
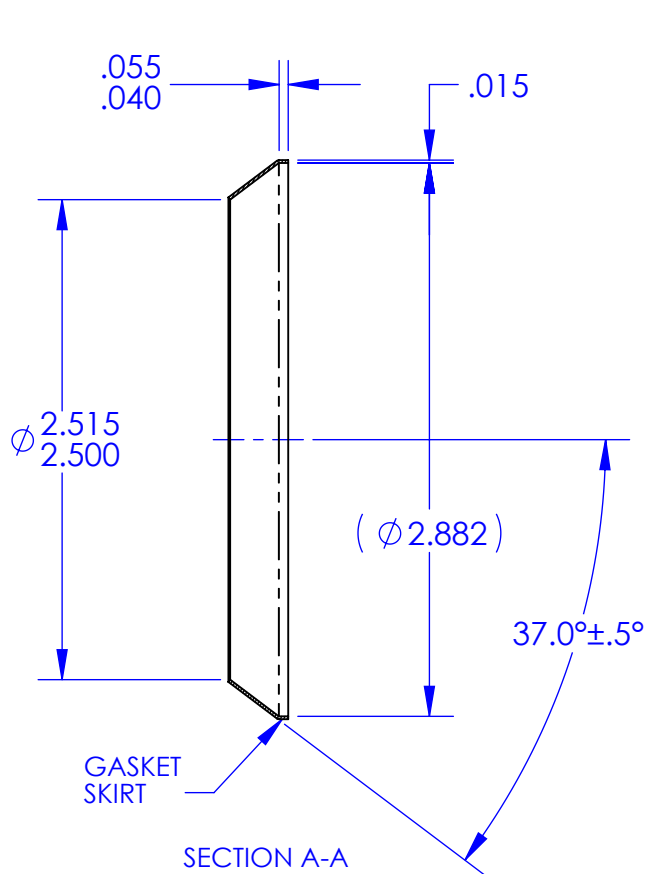


NOTES: UNLESS OTHERWISE SPECIFIED

1. MATERIAL: NICKEL STRIP 201, PER ASTM B 162 OR AMS 5553.
2. FINISH: SILVER PLATED PER AMS 2410.
3. THESE PARTS ARE ANNEALED. DIMENSIONS "A" AND "C" SHALL BE VERIFIED BY INSTALLING THE SEAL ON A STANDARD FITTING PER MS33514 OF APPROPRIATE SIZE. AN OUT-OF ROUND CONDITION WHICH DOES NOT PREVENT SUCH INSTALLATION SHALL NOT BE A CAUSE FOR REJECTION UNLESS THE SEAL MATERIAL IS CREASED OR NICKED.
4. BREAK ALL SHARP EDGES AND REMOVE ALL BURRS.

REVISIONS

REV.	DESCRIPTION	DATE	APPROVED
G	As Released	7/15/1998	SECO



ECCN 9A991.d		DRAWING SIZE	SECO SEALS, INC.		1370 LOGAN AVE. UNIT K	(714) 546-3478
MATERIAL: See Note 1		FSCM: 4730	A	PO BOX 1461		www.secoseals.com
TREATMENT: Annealed after Forming		INCHES DIMENSIONS IN INCHES 3RD ANGLE PROJECTION		FILE NAME: SECO7NS40		REV. G
MATERIAL SIZE: .015 Thk. Sheet		DESC.: Conical Seal for 2 1/2" Flared Tube Fitting, 37 Degree.		STANDARD: SECO 7		CAGE CODE: 33447
DATE DRAWN: 4/21/2015		TITLE: SECO 7 Seal		DRAWN BY: Joe Littel		SHEET 1 of 1
SCALE: 1:1		CHECKED BY: Jim Scott				