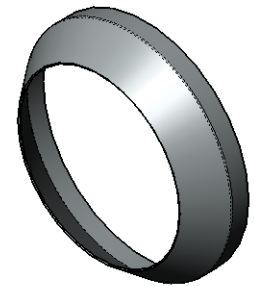
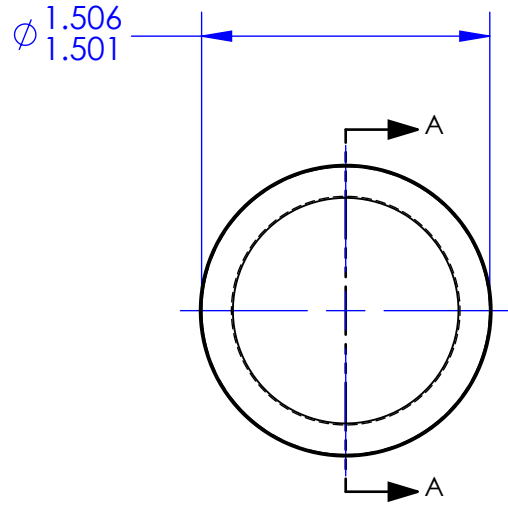
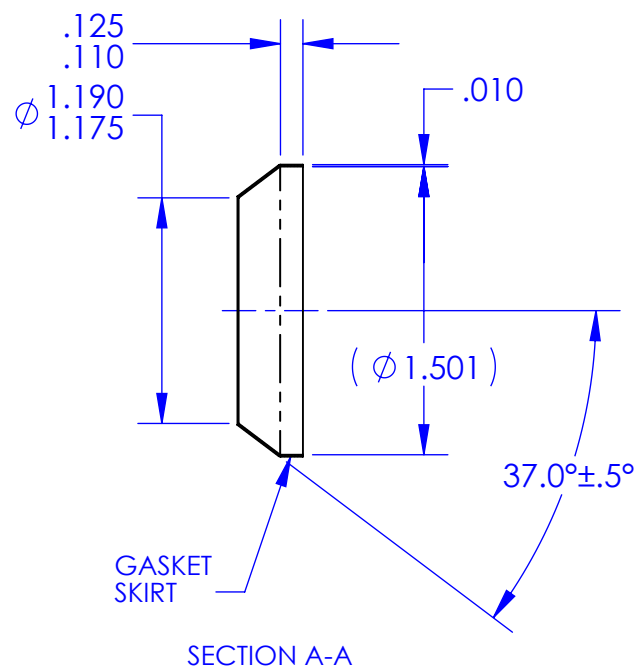


| REVISIONS |             |           |          |
|-----------|-------------|-----------|----------|
| REV.      | DESCRIPTION | DATE      | APPROVED |
| G         | As Released | 7/15/1998 | SECO     |



**NOTES: UNLESS OTHERWISE SPECIFIED**

1. MATERIAL: CORROSION RESISTANT STEEL STRIP TYPE 305 OR 304. PER QQ-S-766 OR ASTM A 240.
2. FINISH: TINPLATED PER MIL-T-10727, TYPE 1 OR AMS 2408-2.
3. THESE PARTS ARE ANNEALED. DIMENSIONS "A" AND "C" SHALL BE VERIFIED BY INSTALLING THE SEAL ON A STANDARD FITTING PER MS33514 OF APPROPRIATE SIZE. AN OUT-OF ROUND CONDITION WHICH DOES NOT PREVENT SUCH INSTALLATION SHALL NOT BE A CAUSE FOR REJECTION UNLESS THE SEAL MATERIAL IS CREASED OR NICKED.
4. BREAK ALL SHARP EDGES AND REMOVE ALL BURRS.

|                        |  |   |            |                     |                        |                   |
|------------------------|--|---|------------|---------------------|------------------------|-------------------|
| ECCN 9A991.d           |  | DRAWING SIZE  |            | SECO SEALS, INC.    | 1370 LOGAN AVE. UNIT K | (714) 546-3478    |
| MAT'L:                 | FSCM:  |   |            | sales@secoseals.com | COSTA MESA, CA. 92626  | www.secoseals.com |
| See Note 1             | 4730   |   | FILE NAME: | SECO7ST20           |                        |                   |
| TREATMENT:             | INCHES<br>DIMENSIONS IN INCHES<br>3RD ANGLE PROJECTION<br> | DESC.:  |            |                     |                        | STANDARD:         |
| Annealed after Forming |  | Conical Seal for 1 1/4" Flared Tube Fitting, 37 Degree. |            |                     |                        | SECO 7            |
| MAT'L SIZE:            |  | TITLE:  |            | DRAWN BY:           | CAGE CODE:             |                   |
| .010 Thk. Sheet        |  | SECO 7 Seal   |            | Joe Littel          | 33447                  |                   |
|                        |  | DATE DRAWN:   | SCALE:     | CHECKED BY:         | SHEET                  |                   |
|                        |  | 4/21/2015   | 1:1        | Jim Scott           | 1 of 1                 |                   |