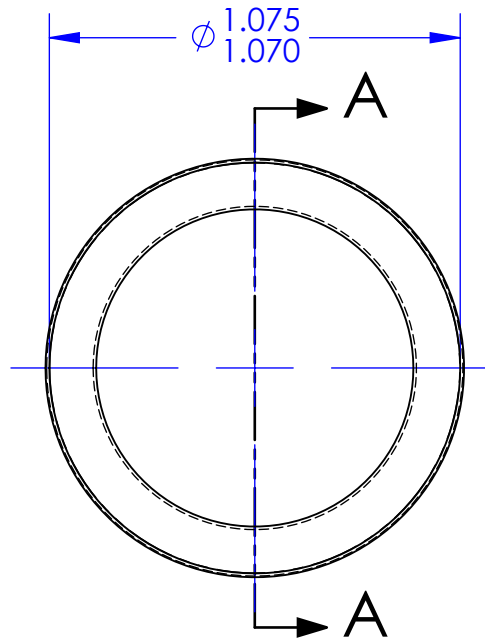
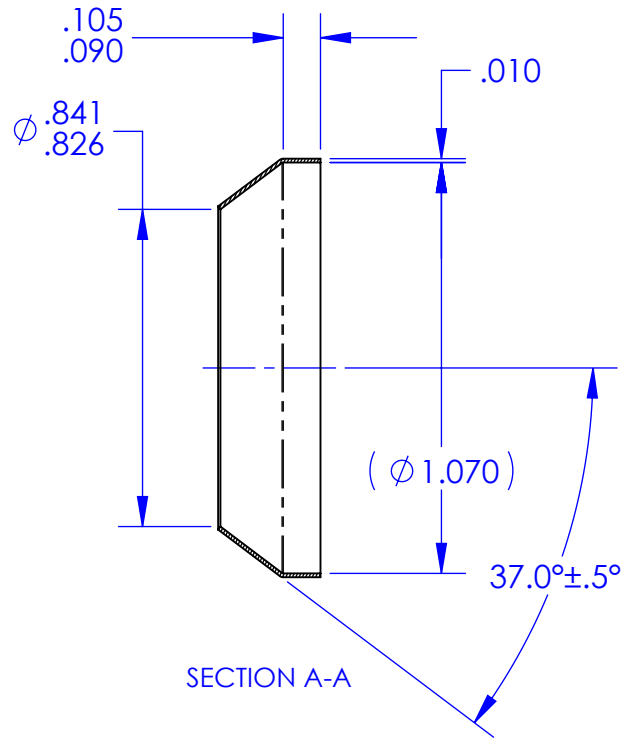


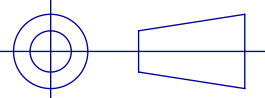
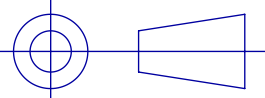


| REVISIONS | | | |
|-----------|-------------|-----------|----------|
| REV. | DESCRIPTION | DATE | APPROVED |
| G | As Released | 7/15/1998 | SECO |



NOTES: UNLESS OTHERWISE SPECIFIED

1. MATERIAL: CORROSION RESISTANT STEEL STRIP TYPE 305 OR 304. PER QQ-S-766 OR ASTM A 240.
2. FINISH: NONE.
3. THESE PARTS ARE ANNEALED. DIMENSIONS "A" AND "C" SHALL BE VERIFIED BY INSTALLING THE SEAL ON A STANDARD FITTING PER MS33514 OF APPROPRIATE SIZE. AN OUT-OF ROUND CONDITION WHICH DOES NOT PREVENT SUCH INSTALLATION SHALL NOT BE A CAUSE FOR REJECTION UNLESS THE SEAL MATERIAL IS CREASED OR NICKED.
4. BREAK ALL SHARP EDGES AND REMOVE ALL BURRS.

| | | | | | | |
|------------------------|---|---|--|---------------------|------------------------|-------------------|
| ECCN 9A991.d | | DRAWING SIZE |  | SECO SEALS, INC. | 1370 LOGAN AVE. UNIT K | (714) 546-3478 |
| MAT'L: | FSCM: |  | | sales@secoseals.com | COSTA MESA, CA. 92626 | www.secoseals.com |
| See Note 1 | 4730 | | FILE NAME: | SECO7S14 | | |
| TREATMENT: | INCHES DIMENSIONS IN INCHES 3RD ANGLE PROJECTION  | DESC.: | | | | STANDARD: |
| Annealed after Forming | | Conical Seal for 7/8" Flared Tube Fitting, 37 Degree. | | | | SECO 7 |
| MAT'L SIZE: |  | TITLE: | | DRAWN BY: | CAGE CODE: | |
| .010 Thk. Sheet | | SECO 7 Seal | | Joe Littel | 33447 | |
| | | DATE DRAWN: | SCALE: | CHECKED BY: | SHEET | |
| | | 4/21/2015 | 2:1 | Jim Scott | 1 of 1 | |