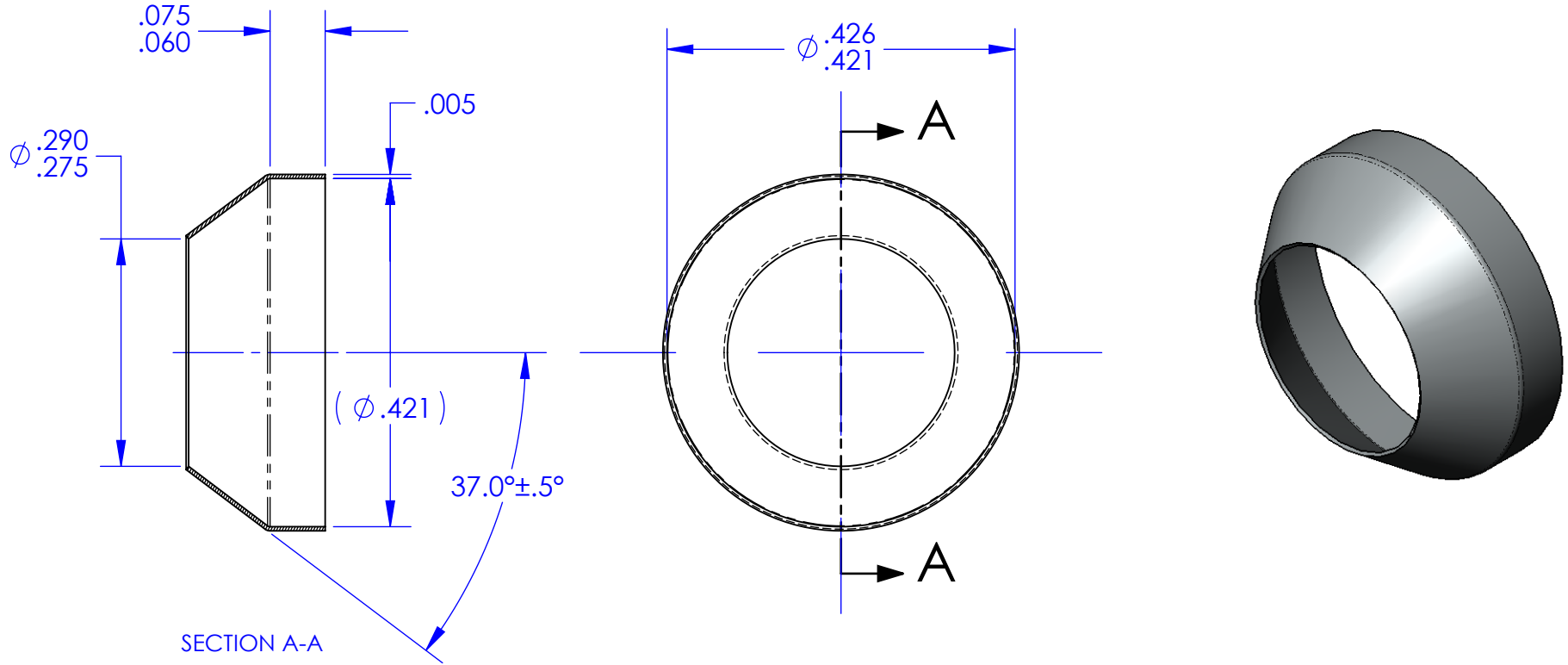


REVISIONS			
REV.	DESCRIPTION	DATE	APPROVED
G	As Released	7/15/1998	SECO



NOTES: UNLESS OTHERWISE SPECIFIED

1. MATERIAL: NICKEL STRIP 201, PER ASTM B 162 OR AMS 5553.
2. FINISH: TINPLATED PER MIL-T-10727, TYPE 1 OR AMS 2408-2.
3. THESE PARTS ARE ANNEALED. DIMENSIONS "A" AND "C" SHALL BE VERIFIED BY INSTALLING THE SEAL ON A STANDARD FITTING PER MS33514 OF APPROPRIATE SIZE. AN OUT-OF ROUND CONDITION WHICH DOES NOT PREVENT SUCH INSTALLATION SHALL NOT BE A CAUSE FOR REJECTION UNLESS THE SEAL MATERIAL IS CREASED OR NICKED.
4. BREAK ALL SHARP EDGES AND REMOVE ALL BURRS.

ECCN 9A991.d		DRAWING SIZE		SECO SEALS, INC. sales@secoseals.com		1370 LOGAN AVE. UNIT K COSTA MESA, CA. 92626		(714) 546-3478 www.secoseals.com		
MAT'L:	See Note 1	FSCM:		FILE NAME:		REV.		G		
	4730	A		SECO7NT5						
TREATMENT:	Annealed after Forming	INCHES DIMENSIONS IN INCHES 3RD ANGLE PROJECTION 	DESC.:				STANDARD:			
MAT'L SIZE:	.005 Thk. Sheet		Conical Seal for 5/16" Flared Tube Fitting, 37 Degree.				SECO 7			
		TITLE:		DRAWN BY:		CAGE CODE:				
		SECO 7 Seal		Joe Littel		33447				
		DATE DRAWN		SCALE		CHECKED BY		SHEET		
		4/21/2015		5:1		Jim Scott		1 of 1		