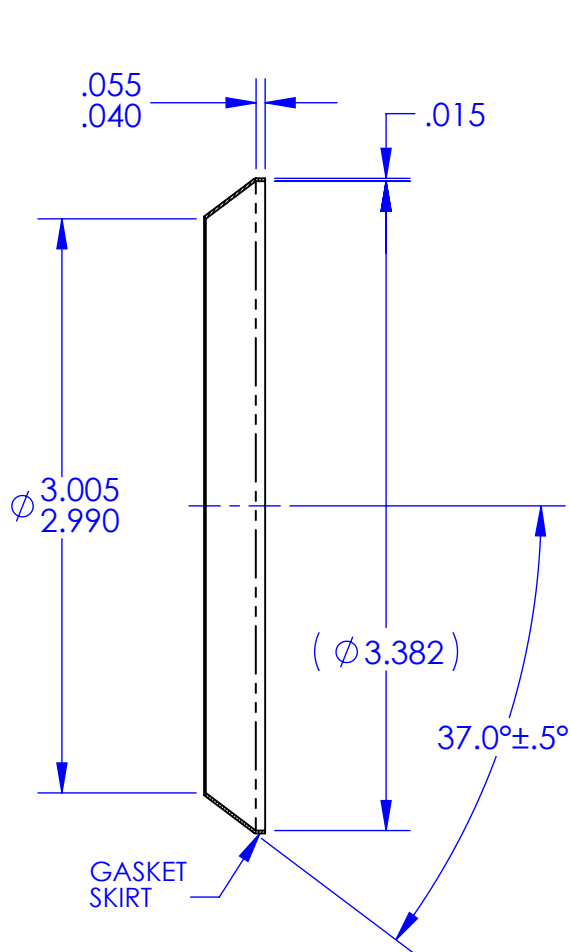


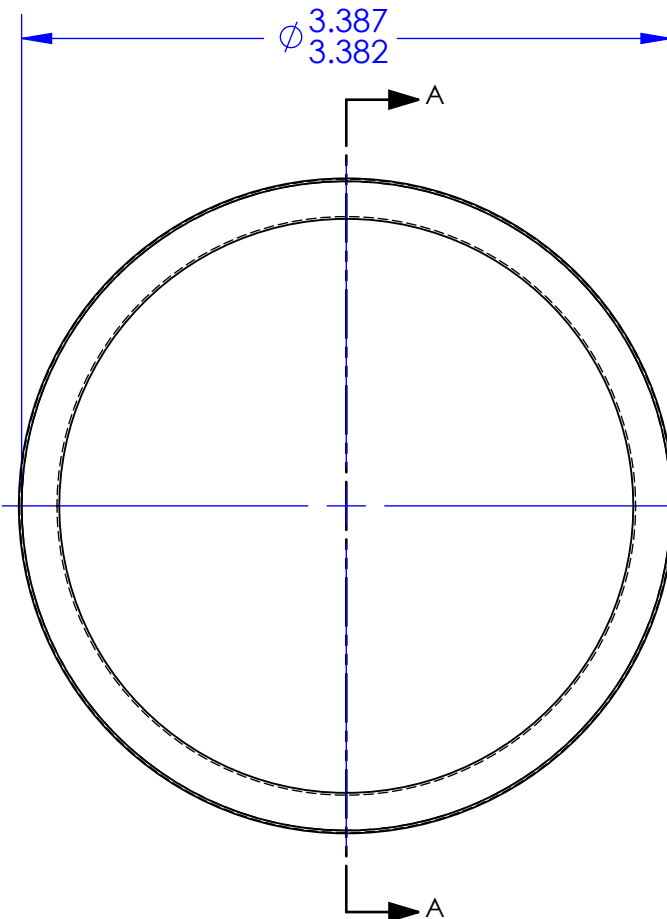
**NOTES: UNLESS OTHERWISE SPECIFIED**

1. MATERIAL: NI CKEL STRIP 201, ANNEALED, PER ASTM B 162 OR AMS 5553
2. FINISH: NONE.
3. THESE PARTS ARE ANNEALED. DIMENSIONS "A" AND "C" SHALL BEVERIFIED BY INSTALLING THE SEAL ON A STANDARD FITTING PER MS33514 OF APPROPRIATE SIZE. AN OUT-OF ROUND CONDITION WHICH DOES NOT PREVENT SUCH INSTALLATION SHALL NOT BE A CAUSE FOR REJECTION UNLESS THE SEAL MATERIAL IS CREASED OR NICKED.
4. BREAK ALL SHARP EDGES AND REMOVE ALL BURRS.

REVISIONS			
REV.	DESCRIPTION	DATE	APPROVED
G	As Released	7/15/1998	SECO



SECTION A-A



ECCN 9A991.d		DRAWING SIZE		SECO SEALS, INC.	1370 LOGAN AVE. UNIT K	(714) 546-3478	
MAT'L:	FSCM:			sales@secoseals.com	COSTA MESA, CA. 92626	www.secoseals.com	
See Note 1			4730	FILE NAME:	SECO7N48		REV. G
TREATMENT:	INCHES DIMENSIONS IN INCHES 3RD ANGLE PROJECTION		DESC.: Conical Seal for 3" Flared Tube Fitting, 37 Degree.			STANDARD: SECO 7	
Annealed after Forming			TITLE: SECO 7 Seal			DRAWN BY: Joe Littel	CAGE CODE: 33447
MAT'L SIZE: .015 Thk. Sheet			DATE DRAWN 4/21/2015		SCALE 1:1	CHECKED BY: Jim Scott	SHEET 1 of 1