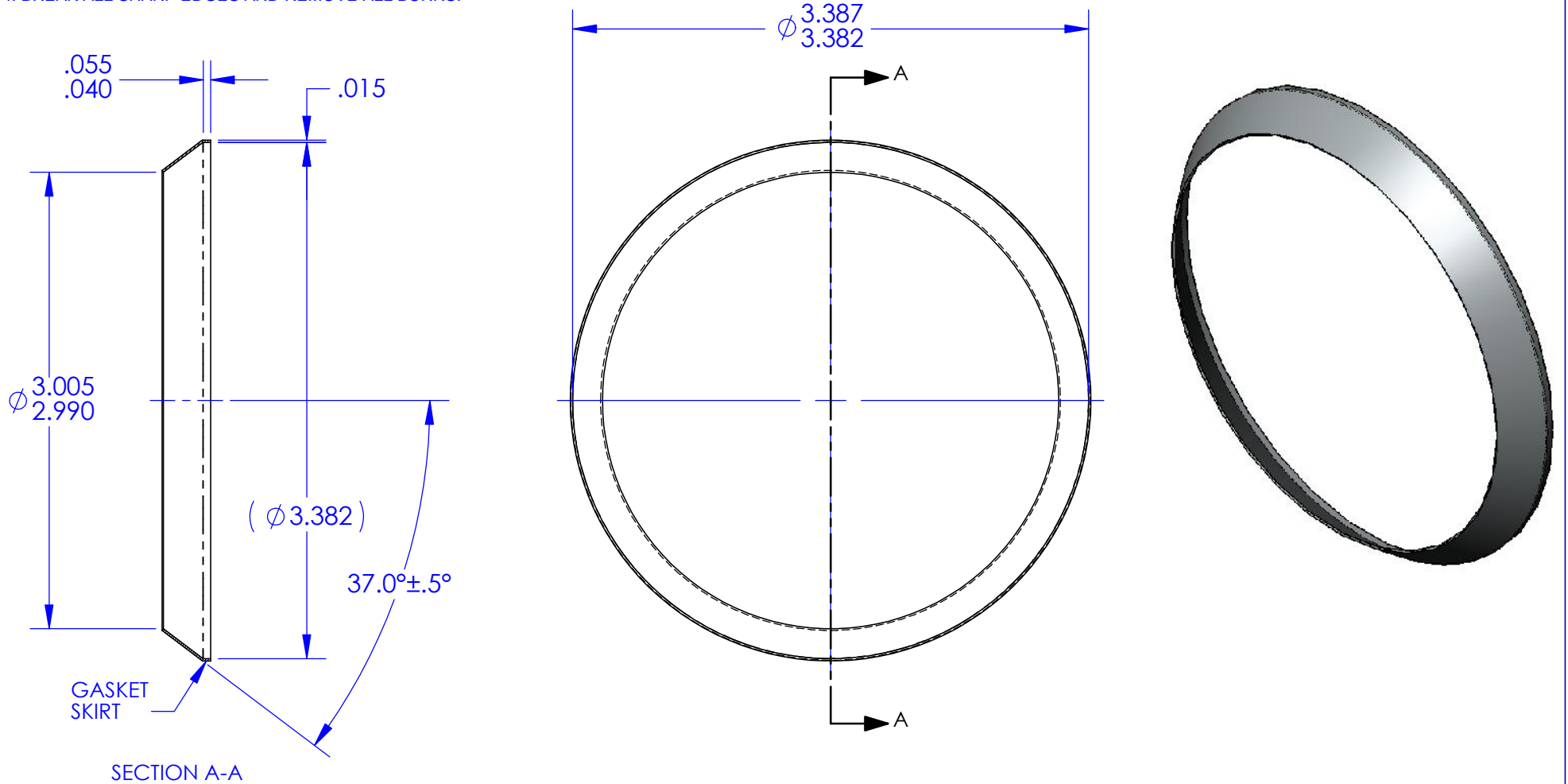


NOTES: UNLESS OTHERWISE SPECIFIED

1. MATERIAL: COPPER STRIP, ANNEALED, TYPE C10100, C10200 OR C11000
CHEMICAL COMPOSITION PER ASTM B 152, MECHANICAL PROPERTIES PER ASTM B 451.
2. FINISH: TINPLATED PER MIL-T-10727, TYPE 1 OR AMS 2408-2.
3. THESE PARTS ARE ANNEALED. DIMENSIONS "A" AND "C" SHALL BE VERIFIED BY INSTALLING THE SEAL ON A STANDARD FITTING PER MS33514 OF APPROPRIATE SIZE. AN OUT-OF ROUND CONDITION WHICH DOES NOT PREVENT SUCH INSTALLATION SHALL NOT BE A CAUSE FOR REJECTION UNLESS THE SEAL MATERIAL IS CREASED OR NICKED.
4. BREAK ALL SHARP EDGES AND REMOVE ALL BURRS.

REVISIONS			
REV.	DESCRIPTION	DATE	APPROVED
G	As Released	7/15/1998	SECO



SECTION A-A

ECCN 9A991.d		DRAWING SIZE	SECO SEALS, INC. 1370 LOGAN AVE. UNIT K (714) 546-3478 sales@secoseals.com COSTA MESA, CA. 92626 www.secoseals.com	
MATL: See Note 1	FSCM: 4730	A	FILE NAME: SECO7CT48	REV. G
TREATMENT: Annealed after Forming	INCHES DIMENSIONS IN INCHES 3RD ANGLE PROJECTION		DESC.: Conical Seal for 3" Flared Tube Fitting, 37 Degree.	
MAT'L SIZE: .015 Thk. Sheet			TITLE: SECO 7 Seal	DRAWN BY: Joe Littel
			DATE DRAWN 4/16/2015	CAGE CODE: 33447
			SCALE 1:1	SHEET 1 of 1
			CHECKED BY Jim Scott	