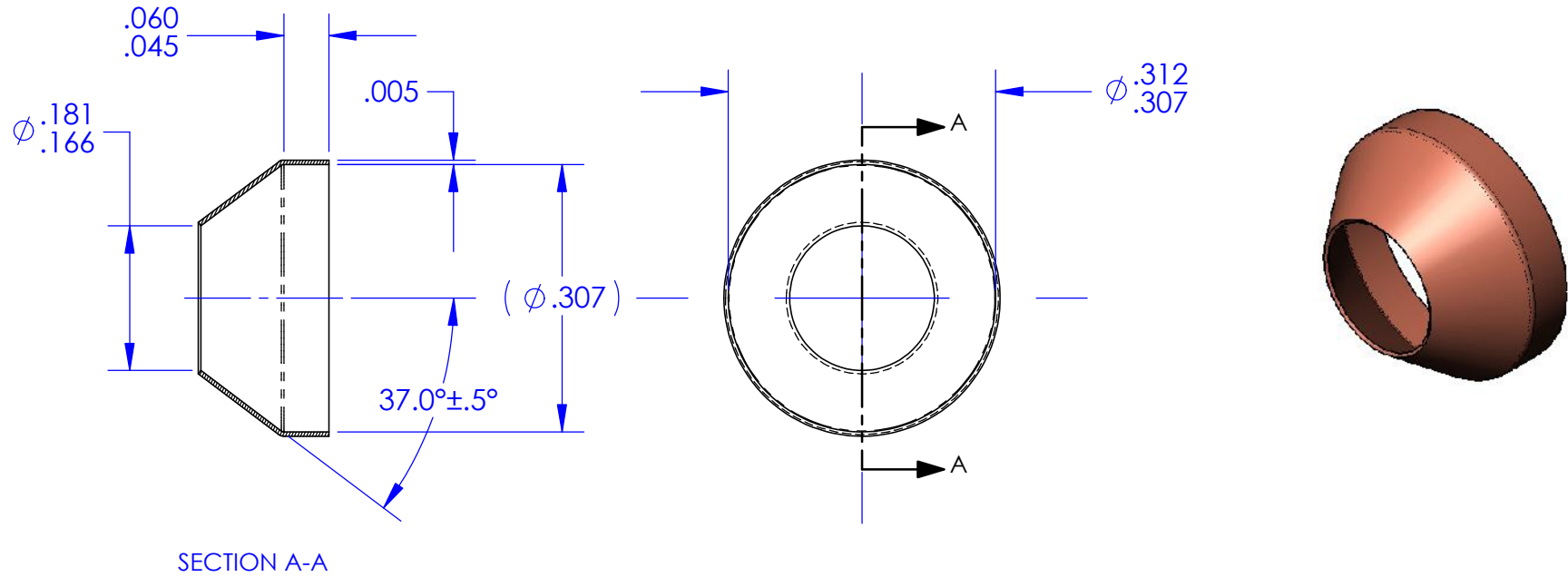


REVISIONS			
REV.	DESCRIPTION	DATE	APPROVED
G	As Released	7/15/1998	SECO



NOTES: UNLESS OTHERWISE SPECIFIED

1. MATERIAL: COPPER STRIP, ANNEALED, TYPE C10100, C10200 OR C11000
CHEMICAL COMPOSITION PER ASTM B 152, MECHANICAL PROPERTIES PER ASTM B 451.
2. FINISH: TINPLATED PER MIL-T-10727, TYPE 1 OR AMS 2408-2.
3. THESE PARTS ARE ANNEALED. DIMENSIONS "A" AND "C" SHALL BE VERIFIED BY INSTALLING THE SEAL ON A STANDARD FITTING PER MS3351 4 OF APPROPRIATE SIZE. AN OUT-OF ROUND CONDITION WHICH DOES NOT PREVENT SUCH INSTALLATION SHALL NOT BE A CAUSE FOR REJECTION UNLESS THE SEAL MATERIAL IS CREASED OR NICKED.
4. BREAK ALL SHARP EDGES AND REMOVE ALL BURRS.

ECCN 9A991.d		DRAWING SIZE		SECO SEALS, INC. sales@secoseals.com		1370 LOGAN AVE. UNIT K COSTA MESA, CA. 92626		(714) 546-3478 www.secoseals.com		
MATL:	See Note 1	FSCM:			FILE NAME:	SECO7CT3		REV.	G	
TREATMENT:	Annealed after Forming	INCHES DIMENSIONS IN INCHES 3RD ANGLE PROJECTION 	DESC.:		Conical Seal for 3/16" Flared Tube Fitting, 37 Degree.				STANDARD:	SECO 7
MATL SIZE:	.005 Thk. Sheet		TITLE:	SECO 7 Seal		DRAWN BY:	Joe Littel		CAGE CODE:	33447
			DATE DRAWN	4/16/2015	SCALE	5:1		CHECKED BY:	Jim Scott	
						SHEET	1		OF 1	