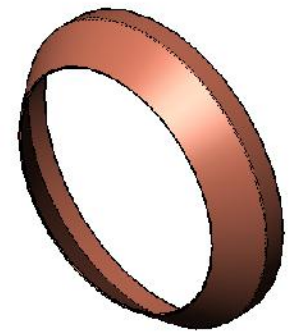
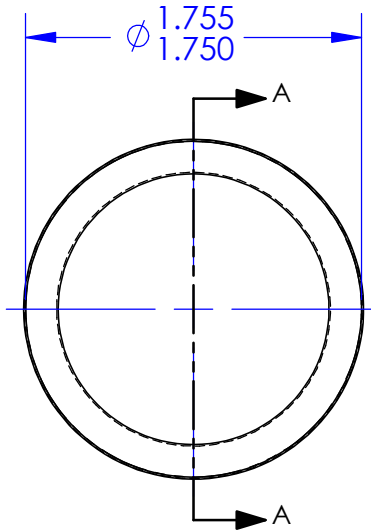
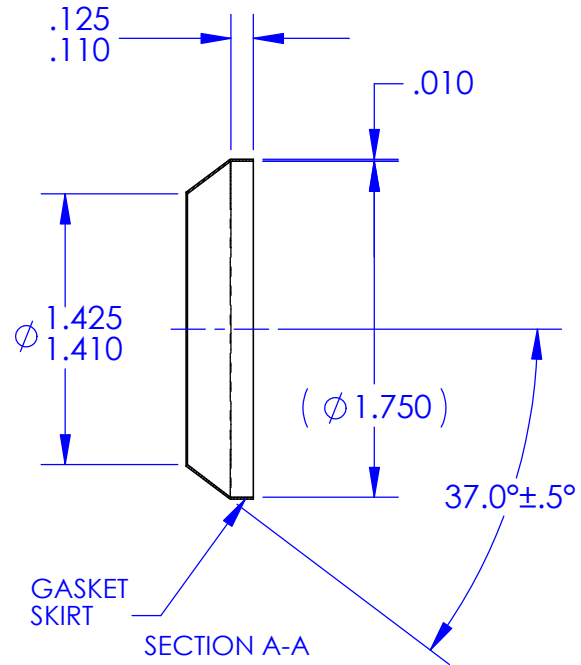


REVISIONS			
REV.	DESCRIPTION	DATE	APPROVED
G	As Released	7/15/1998	SECO



**NOTES: UNLESS OTHERWISE SPECIFIED**

1. MATERIAL: COPPER STRIP, ANNEALED, TYPE C10100, C10200 OR C11000  
CHEMICAL COMPOSITION PER ASTM B 152, MECHANICAL PROPERTIES PER ASTM B 451.
2. FINISH: NONE.
3. THESE PARTS ARE ANNEALED. DIMENSIONS "A" AND "C" SHALL BE VERIFIED BY INSTALLING THE SEAL ON A STANDARD FITTING PER MS33514 OF APPROPRIATE SIZE. AN OUT-OF ROUND CONDITION WHICH DOES NOT PREVENT SUCH INSTALLATION SHALL NOT BE A CAUSE FOR REJECTION UNLESS THE SEAL MATERIAL IS CREASED OR NICKED.
4. BREAK ALL SHARP EDGES AND REMOVE ALL BURRS.

ECCN 9A991.d		DRAWING SIZE		<b>SECO SEALS, INC.</b> sales@secoseals.com		<b>1370 LOGAN AVE. UNIT K</b> <b>COSTA MESA, CA. 92626</b>		<b>(714) 546-3478</b> <b>www.secoseals.com</b>	
MAT'L:	See Note 1	FSCM:		4730	FILE NAME:	SECO7C24		REV.	G
TREATMENT:	Annealed after Forming	<b>INCHES</b> DIMENSIONS IN INCHES 3RD ANGLE PROJECTION 		DESC.:				STANDARD:	
MAT'L SIZE:	.010 Thk. Sheet			Conical Seal for 1 1/2" Flared Tube Fitting, 37 Degree.				SECO 7	
				TITLE:		DRAWN BY:		CAGE CODE:	
				SECO 7 Seal		Joe Littell		33447	
				DATE DRAWN:		SCALE:		CHECKED BY:	
				4/16/2015		1:1		Jim Scott	
								SHEET	
								1 OF 1	