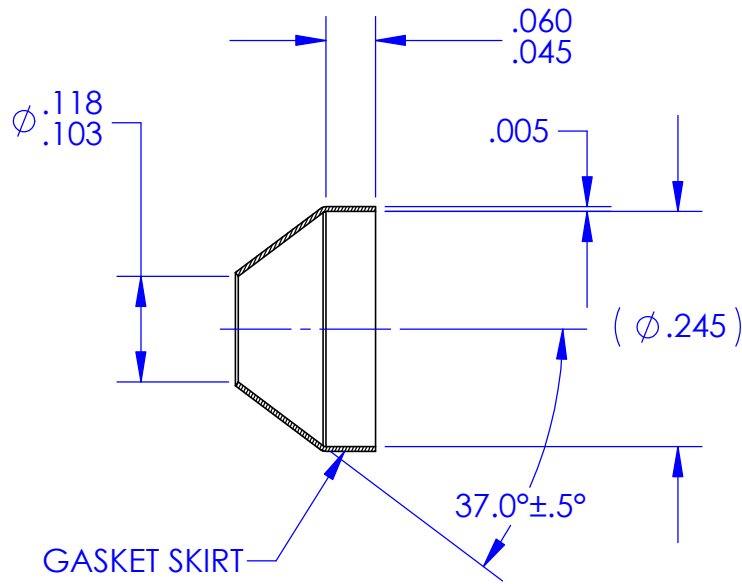
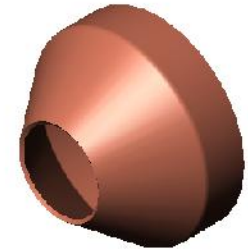
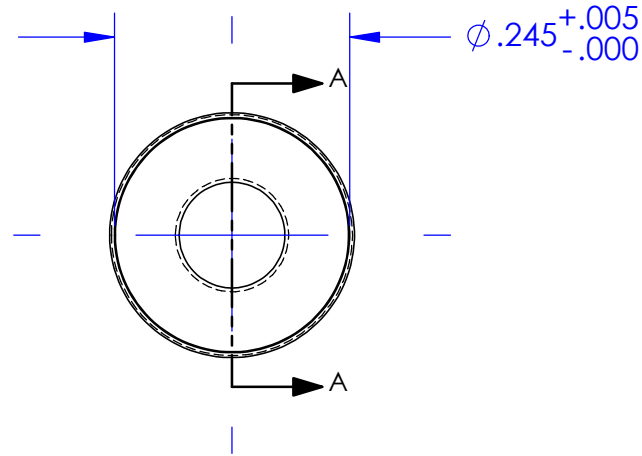


REVISIONS			
REV.	DESCRIPTION	DATE	APPROVED
G	As Released	7/15/1998	SECO




SECTION A-A



**NOTES: UNLESS OTHERWISE SPECIFIED**

1. MATERIAL: COPPER STRIP, ANNEALED, TYPE C10100, C10200 OR C11000  
CHEMICAL COMPOSITION PER ASTM B 152, MECHANICAL PROPERTIES PER ASTM B 451.
2. FINISH: NONE.
3. THESE PARTS ARE ANNEALED. DIMENSIONS "A" AND "C" SHALL BEVERIFIED BY INSTALLING THE SEAL ON A STANDARD FITTING PER MS33514 OF APPROPRIATE SIZE. AN OUT-OF ROUND CONDITION WHICH DOES NOT PREVENT SUCH INSTALLATION SHALL NOT BE A CAUSE FOR REJECTION UNLESS THE SEAL MATERIAL IS CREASED OR NICKED.
4. BREAK ALL SHARP EDGES AND REMOVE ALL BURRS.

ECCN 9A991.d		DRAWING SIZE		SECO SEALS, INC.	1370 LOGAN AVE. UNIT K	(714) 546-3478
MAT'L:	FSCM:			sales@secoseals.com	COSTA MESA, CA. 92626	www.secoseals.com
See Note 1	4730		FILE NAME:	SECO7C2		REV.
TREATMENT:	<b>INCHES</b> DIMENSIONS IN INCHES 3RD ANGLE PROJECTION 	DESC.:	Conical Seal for 1/8" Flared Tube Fitting, 37 Degree.		STANDARD:	
Annealed after Forming		DATE DRAWN	TITLE:		SECO 7 Seal	SECO 7
MAT'L SIZE:	.005 Thk. Sheet	4/16/2015	SCALE	5:1	DRAWN BY	CAGE CODE:
				Joe Littell	33447	
			CHECKED BY	Jim Scott	SHEET	1 of 1